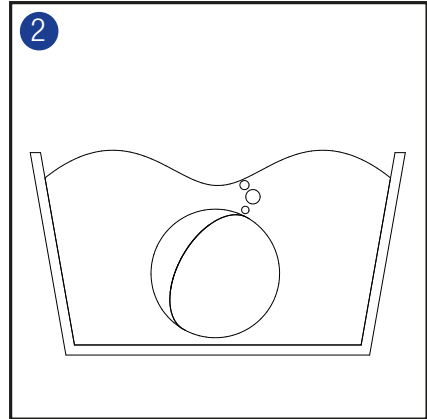
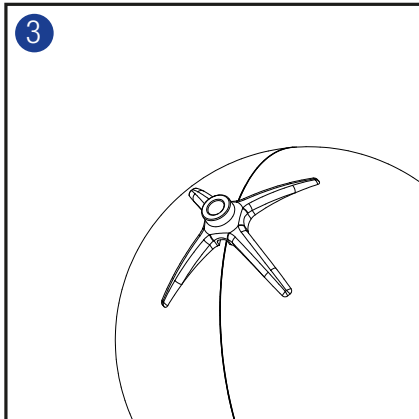


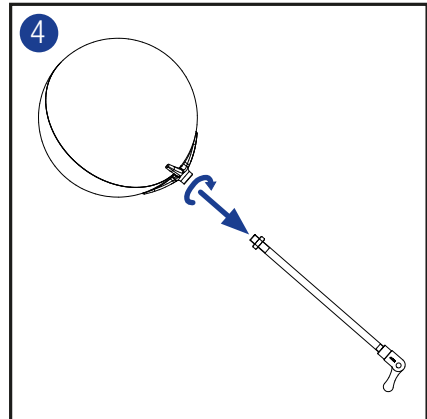
Solder float using WRAS Approved solder/flux.



Submerge float and visually inspect. If bubbles are present repeat step 1.



Solder the stud or claw to the ball.



Assemble float to lever by threading together and secure with locknut.