

WATER POINT INTERNAL WATER METER BOX

INSTALLATION INSTRUCTIONS



WATER POINT INTERNAL METER BOX

1-INSTALLATION

Atplas Water Point internal meter boxes are designed for conveyance of cold potable water only. No warranty is given nor liability accepted by Atplas for use for any other purpose, for failure to comply with these installation instructions, or for alterations made to the units.

The Water Point meter box must be installed inside in an area not liable to freezing temperatures.

The Water Point box must be installed in line with all local regulations and meet the relevant water company's requirements for meter location.

The Water Point box must be positioned as close as possible to the incoming water supply, and before all draw off points.

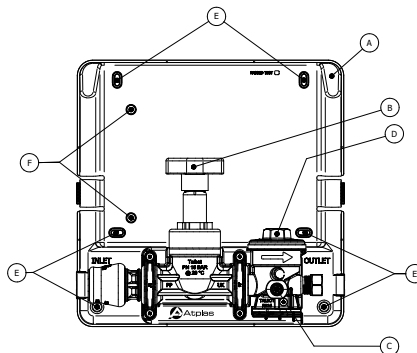
The water meter port is designed to be used with concentric meters G 1 ½" complying with BS EN ISO 4064.

If required, there is space behind the backplate to fit a wire for the purposes of continuity of equipotential electrical bonding as per IEE regulations, 18th edition

Ensure you have selected the correct variant of the product (see sticker on the box):

Code	Inlet	Outlet
WA3261515AM	15mm copper compression	15mm copper compression
WA3261522AM	15mm copper compression	22mm copper compression
WA3262215AM	22mm copper compression	15mm copper compression
WA3262222AM	22mm copper compression	22mm copper compression
WA3262515AM	25mm MDPE Pushfit	15mm copper compression
WA3262522AM	25mm MDPE Pushfit	22mm copper compression

- (A)** Backplate
- (B)** The stopcock is operated by turning clockwise to close, and anticlockwise to open.
- (C)** The drain off is opened by rotating anti-clockwise until water starts to flow.
- (D)** Meter cap
- (E)** Fixing hole options in Backplate
- (F)** AMR mounting point



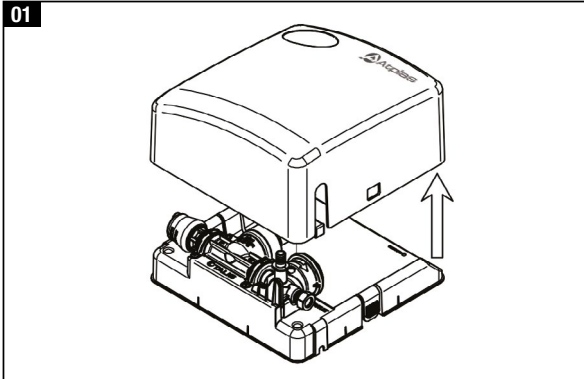
The meter is able to be read through the lens in top of the cover without removal.

TOOLS REQUIRED

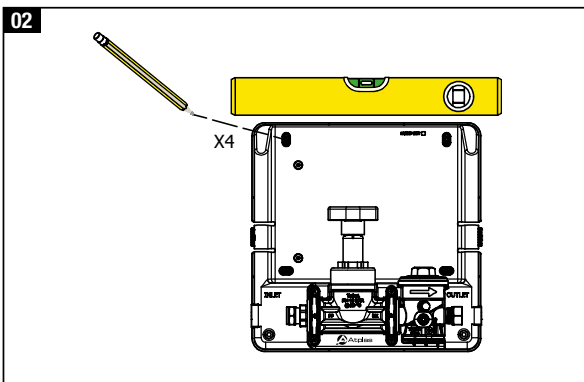


*Drill size will be dependent on wall substrate, smaller drill size may be required for softer substrate, a larger drill size may be required for hard substrate

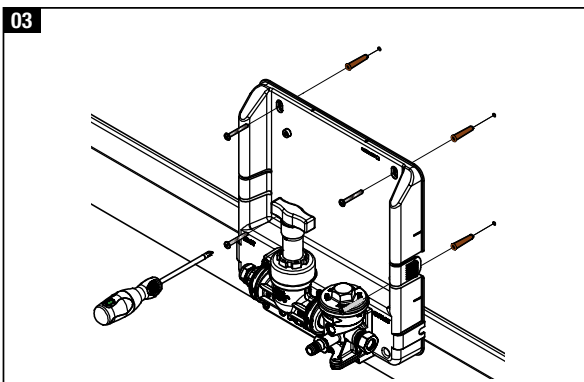
INSTALLATION / OPERATION / MAINTENANCE



1. Remove the box from the packaging and remove the cover by pressing the buttons inwards on each side of the unit. Care should be taken to avoid scratching the cover or transparent lens.



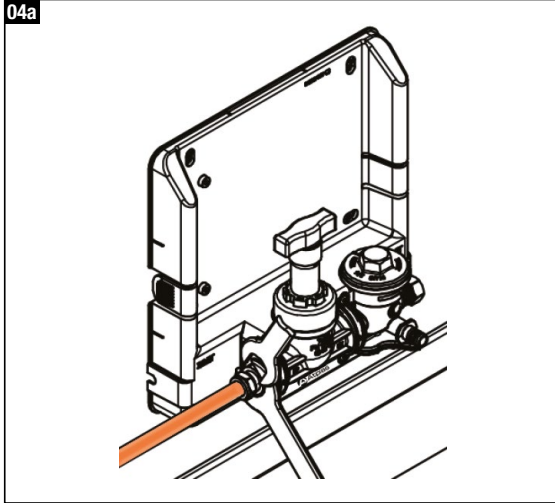
2. Position the backplate in the desired location, on a flat wall as close as possible to the main water inlet to the property. Ensure the unit is level and that there is adequate space to fit the pipework and cover. Mark the holes in the wall for drilling (various fixing holes options (E) provided allows for variation of substrate). Recommended fixing locations are the two upper points along with either of the two lower points.



3. For brick walls use the wall plugs & screws provided. Drill $\text{\O}6\text{-}8\text{mm}^*$ holes, insert plugs and screw the unit to the wall. For other substrates use appropriate fixings to secure the backplate.

INSTALLATION / OPERATION / MAINTENANCE

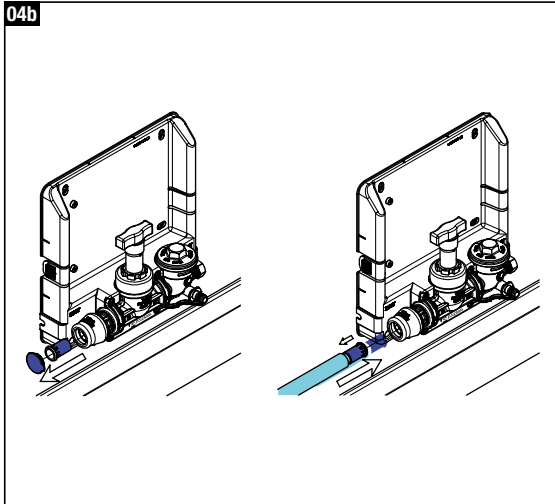
04a



4. Isolate water supply. Ensure you have the appropriate inlet pipework for your variant of Water Point box. Fit selected pipework to the side of the unit marked INLET. Sufficient wall fixings and bends must be used to avoid stress on the pipework connections.

(a) If using a Water Point box with a 15mm / 22mm copper compression fitting on INLET, hold the brass adaptor with a spanner whilst tightening the nut on to the olive to avoid driving the adaptor further into the stopcock body. Ensure a water tight joint with 1 full turn or 25Nm (15mm copper) or 40Nm (22mm copper), but do not overtighten.

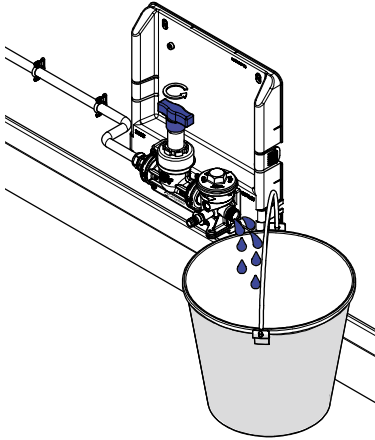
04b



(b) If using a Water Point box with a 25mm MDPE Pushfit INLET, remove the blue dust cap and liner from fitting and insert the liner into the end of the pipe. Push pipe fully into the fitting until a hard stop is reached.

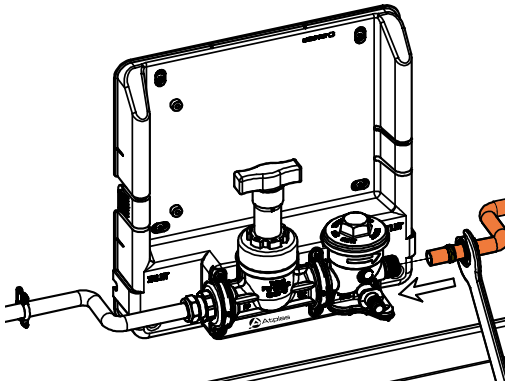
INSTALLATION / OPERATION / MAINTENANCE

05

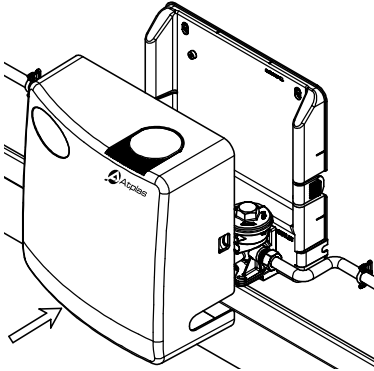


5. Before the OUTLET can be connected, the system must be flushed through to purge any particles which may have entered the pipework during installation. Ensure the drain off (C) is closed, and the meter cap is securely fitted. Switch on the water supply gradually with the stop cock (B) and flush unit through to ensure water cleanliness (Ensure appropriate drainage receptacle is used to avoid spillage).

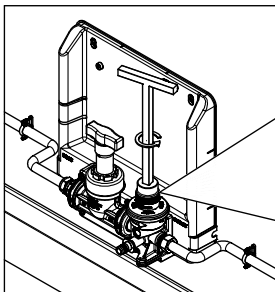
06



6. Isolate water supply again and connect the outlet pipework to the box as per inlet pipework in step 4. Ensure a watertight joint with 1 full turn or 17Nm (15mm copper) or 32Nm (22mm copper), but do not overtighten.

INSTALLATION / OPERATION / MAINTENANCE**07**

7. Switch on the water and check all joints for leak tightness. Securely replace the cover ensuring buttons on backplate clip into recess on cover.

08

SKU: FTK003 (1/2" x 28mm SOCKET)

8. To install the water meter – First remove the cover by pressing the two buttons on the sides of the box, isolate water supply by turning stopcock (B) clockwise. Remove the white meter cap (D) using a 28mm socket. Use a rag or cup to catch any drops of water that might come out of the meter port. The meter must be fitted in accordance with the instructions of the manufacturer. Turn stop cock (B) anti-clockwise to restart the water supply. Replace the cover.

Atlantic Plastics Ltd

Coytrahene Close
Brackla Industrial Estate
Bridgend CF31 2AX
United Kingdom

Tel +44 (0)845 077 9797
www.atplas.co.uk
Email enquiries@atplas.co.uk

Note: Specifications may be changed without notification at any time.
© 2023 Atlantic Plastics Ltd
IOM_IME230309_WATER POINT_EN TEBC327 iss 3

