

TALBOT INTERNAL CONCENTRIC METER CARRIER



## TALBOT INTERNAL CONCENTRIC METER CARRIER



## INTERNAL METERING

### TALBOT INTERNAL CONCENTRIC METER CARRIER

For quick and easy fitting of a concentric water meter inside a property. The carrier comes complete with a non-return valve and drain-off point, for simple and compact fitting and exchange of the meter. The range features different connection sizes for PE and/or copper pipe to fit every installation situation.



#### FUNCTIONS

Allows the fitting of a concentric meter inside a property.

#### ADVANTAGES

- Easy installation**  
 Simple to install and fit or exchange a meter.
- Protects the property**  
 Integrated non-return valve protects the water network from backflow contamination.
- Drain off point**  
 Integrated drain valve to make it easy to drain the whole property.
- Flexible connections**  
 Variants for copper or PE connection in different sizes.

#### APPLICATIONS



House connection

#### USES

- Fitting a concentric meter G 1 ½" internally in a property**
  - The meter carrier can be fitted to 20mm or 25mm MDPE or 15mm copper or 22mm copper compression.
  - Integrated drain off plug allows for draining down of the whole property's water pipes.
  - Can be used for new build or for retrofit metering.

#### CHARACTERISTICS

- Main body** from plastic (POM) with feet to screw down.
- Full flow meter cap** - plastic. Allows manifold to be flushed and tested prior to fitting the meter. Also compatible with the trickle flow and no flow caps.
- Drain off valve** - to meet BS 2464.
- NRV** - integrated in meter port. To WIS 5-11-01.
- Range of different outlets** for PE pushfit connection or copper compression fitting.
- Meter connection** - for G 1 ½" meter to BS EN ISO 4064. Fits all commonly sold concentric meters.



PART CODE: MA3261515AM



PART CODE: MA3261522AM



PART CODE: MA3262215AM



PART CODE: MA3262222AM



PART CODE: MA3262515AM



PART CODE: MA3262522AM

## APPROVALS

- └ Made from WRAS approved materials

## OPTIONS/VARIANTS

- └ Available with different inlet/outlets to suit different pipe sizes/materials.

## TECHNICAL DATA

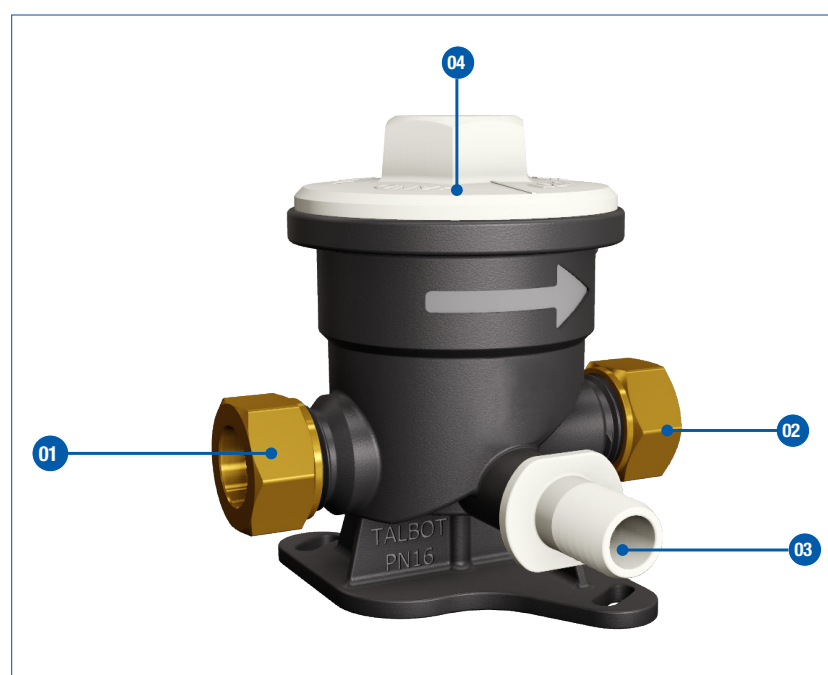
- └ **Outlet sizes:** 15/22mm copper compression or spigot to fit 20/25mm PE pushfit.
- └ **Nominal Pressure (PN):** Working 16 bar



- └ **Material (Metal):** Copper
- └ **Material (Plastic):** POM
- └ **Seals:** Nitrile / EPDM.

## MATERIALS & DIMENSIONS

Item	Description	Material	Standard
1	Inlet	Copper	BS EN 1254-2
2	Outlet	Copper	BS EN 1254-2
3	Drain Off Valve	POM	
4	Meter Cap and Body	POM	BS EN ISO 4064-4

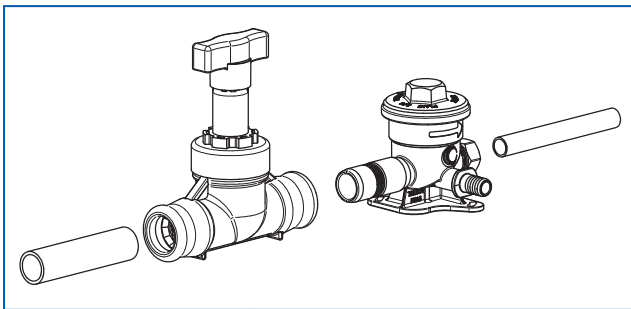


## INSTALLATION EXAMPLES

The product is ideal for retrofitting meters into existing internal pipework and can be located for example in kitchen cupboards and bathrooms.



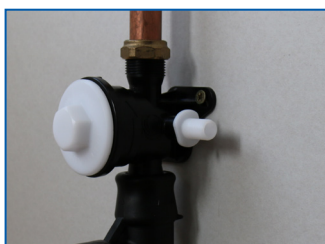
For connection to incoming MDPE pipes, Atlas recommends the use of the Talbot plastic stopcock (E5874) which easily connects by integrated pushfit connectors to the pipe and the internal meter carrier:



The meter is easily connected by removing the white flow cap and screwing in the concentric meter.

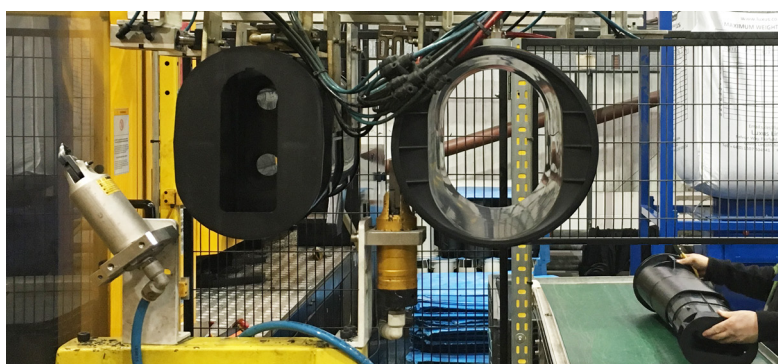


The drainoff is opened by rotating anti-clockwise until the water starts to flow.



## MANUFACTURING & QUALITY

Atplas has a rich history of serving the water industry both in the UK and around the world from its base in Bridgend, South Wales. It is a recognised and reliable supplier of house connection products for water supply. With an extensive range of boundary boxes for water meters, water fittings and valves for a range of service pipes, Atplas stands for **CERTIFIED QUALITY, PRODUCT INNOVATION** and **YEARS OF KNOW-HOW**.



### PROVIDING SUSTAINABLE PRODUCTS

As a leading provider of water fittings and valves from the mains, to your water meter, to your home, Atplas strives to protect one of the world's most vital resources - water. This is achieved through the effective design of all our products supporting the sustainable management of water.

We develop, manufacture and market products of high quality with a long lifespan that are part of a vital infrastructure for water supply.

We have a strong focus on sustainability in our production - both in terms of using recycled materials such as recycled plastic in our black Matrix Plus boundary boxes, but also in terms of using renewable energy. We selected our energy supplier as 100% of its electricity is backed by zero carbon generation.

Atplas is certificated under the Achilles carbon reduction scheme and also proudly meets the requirements for zero waste to landfill.

### WORKING FOR HEALTH AND SAFETY

Safety and a healthy work environment for our employees is high on the agenda at Atplas - both physically and mentally. It is very important to us that our employees can work in a safe work environment – no matter what role and job they have.

Over 10% of our colleague have been trained as Mental Health First Aiders and many of our employees have long seniority and high expertise within their field. We continuously work on ensuring that Atplas remains an attractive and safe workplace.

We have a strong focus on the safety of our own employees as well as visitors and others. As some of our employees often work in environments with heavy items and under high safety requirements, all production employees have completed extensive safety training.

## CERTIFIED QUALITY

Managing quality is a key priority at Atplas and we are proud to be certificated to ISO 9001:2015 and ISO 14001:2015, as well as being certificated to the Achilles UVDB Verify B2 scheme.

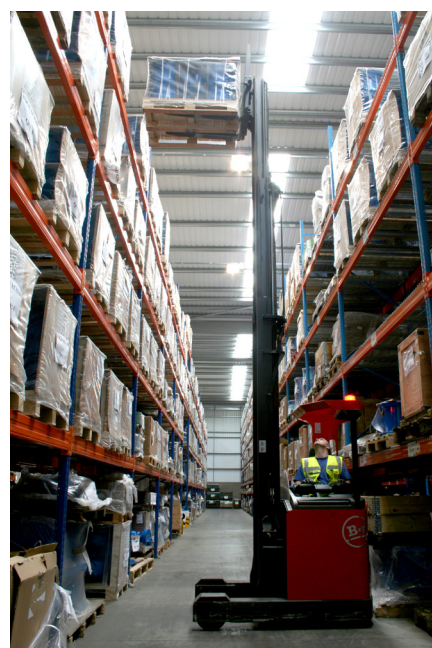
We are committed to providing high quality products and where appropriate, many of our parts that are in contact with drinking water have WRAS or BS 6920 approval. Many of our products hold WRAS or similar approvals to demonstrate compliance with regulation 4 of the UK Water Regulations.

## PRODUCT INNOVATION

Innovation has been the foundation of our success and products have evolved to meet our customers' changing needs.

## YEARS OF KNOW-HOW

With a history in water fittings going back over 100 years, Atplas is able to offer products which meet the needs of both installers and utility companies.



**Atlantic Plastics Ltd**

Coytrahene Close  
Brackla Industrial Estate  
Bridgend CF31 2AX  
United Kingdom

Tel +44 (0)845 077 9797  
[www.atplas.co.uk](http://www.atplas.co.uk)  
Email [enquiries@atplas.co.uk](mailto:enquiries@atplas.co.uk)



Note: Specifications may be changed without notification at any time.  
© 2022 Atlantic Plastics Ltd  
PBR\_IME220921 TALBOT INTERNAL CONCENTRIC METER CARRIER\_EN