

WATER POINT



WATER POINT



INTERNAL METERING

WATER POINT

The Atplas Water Point provides a visually elegant, safe environment to house water meters which are installed inside a property. The Water Point consists of a stopcock and a concentric meter port with a built in non-return valve and drain-off point, which can be accessed by removing the front cover of the box. The meter can be read through the lens on the top of the box. The box is large enough to also contain AMR equipment.



FUNCTIONS

For fitting a concentric water meter inside a property

ADVANTAGES

- └ **Unobtrusive design**

Enables water meter to be fitted anywhere in the property.
- └ **Safe environment**

Prevents accidental damage to water meter or stopcock.
- └ **Emergency shutoff**

Provides a clear point to isolate the water supply in case of emergency
- └ **Reliable and leak free**

Specifically designed to operate at pressures up to 16 bar (240 psi) subject to the ratings of the pipe.
- └ **Flexible connections**

Variants for copper or PE connection in different sizes.

APPLICATIONS



House connection

USES

- └ **Fitting a concentric meter G 1 1/2" internally in a property**

 - The meter carrier can be fitted to 25mm MDPE or 15mm copper or 22mm domestic pipework.
 - Integrated drain off plug allows for draining down of the whole property's water pipes.
 - Can be used for new build or for retrofit metering.

CHARACTERISTICS

- └ **Plastic box** Backplate and removable cover with wall fixings provided.
- └ **Plastic Stopcock**, BS5433 type stopcock acetal/PP
- └ **Meter connection** - for G 1 1/2" meter to BS EN ISO 4064. Fits all commonly sold concentric meters.
- └ **Full flow meter cap** - plastic. Allows manifold to be flushed and tested prior to fitting the meter. Also compatible with Atplás trickle flow and no flow caps
- └ **Drain off valve** to meet BS 2464.
- └ **Check Valve** integrated in meter port to BS EN 13959: 2004 Family E Type B.
- └ **Range of different outlets** for PE pushfit connection or copper compression fitting.
- └ **Flexible connections** Variants for copper or PE connection in different sizes.



APPROVALS



OPTIONS/VARIANTS

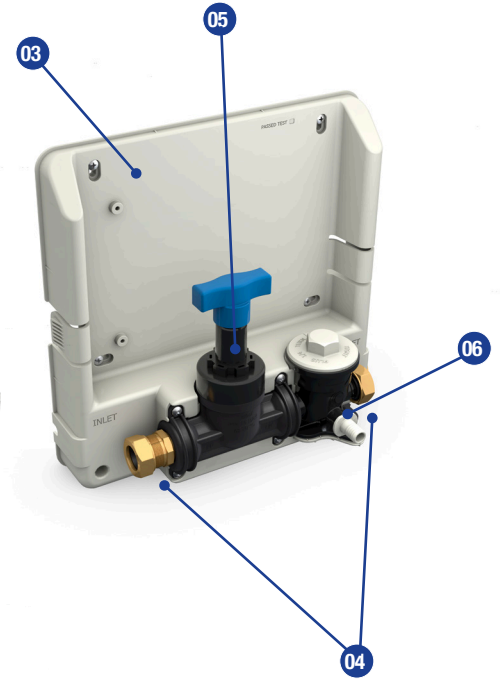
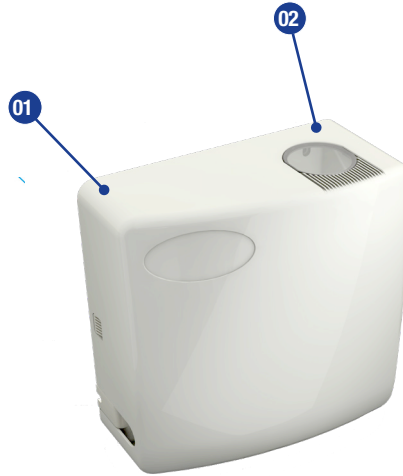
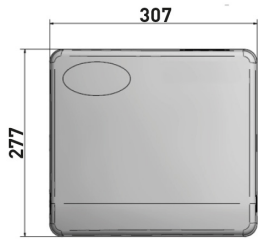
- └ Available with different inlet/outlets to suit different pipe sizes/materials.

TECHNICAL DATA

- └ **Inlet sizes:** 15/22mm copper compression or pushfit connector for 25mm PE.
- └ **Outlet sizes:** 15/22mm copper compression
- └ **Nominal Pressure (PN):** Working 16 bar
- └ **Material (Metal):** Copper
- └ **Material (Plastic):** ABS/POM/PPI
- └ **Seals:** Nitrile / EPDM / PTFE

MATERIALS AND DIMENSIONS

Item	Description	Material	Standard
1	Box Cover	ABS	
2	Lens	Polycarbonate	
3	Box back plate	ABS	
4	Copper inlet/outlet	Copper	BS EN 1254-2
	Plastic inlet	POM / PP	
5	Stopcock and fixing clips	POM / PP	
6	Meter cap/body/drain off valve	POM	BS EN ISO 4064-4
7	Seals	EPDM / Nitrile / PTFE	



PRODUCT CODE

15mm in / 15mm out **WA3261515AM**
 15mm in / 22mm out **WA3261522AM**



PRODUCT CODE

22mm in / 15mm out **WA3262215AM**
 22mm in / 22mm out **WA3262222AM**



PRODUCT CODE

25mm in / 15mm out **WA3262515AM**
 25mm in / 22mm out **WA3262522AM**

INSTALLATION

The box should be positioned inside the property as near as possible to the incoming water supply and before all outlets. Its neutral design allows it to be positioned anywhere in a property, so it is suitable for both new build and metering programmes.



The cover is easily removed to give access to the stopcock to shut off the water.



The meter can be read through the transparent lens on top of the box:



Atlantic Plastics Ltd

Coytrahene Close
Brackla Industrial Estate
Bridgend CF31 2AX
United Kingdom

Tel +44 (0)845 077 9797
www.atplas.co.uk
Email enquiries@atplas.co.uk

Note: Specifications may be changed without notification at any time.

© 2022 Atlantic Plastics Ltd
PBR_IME220930_WATER POINT_EN

