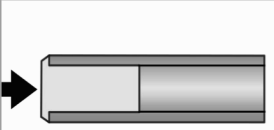
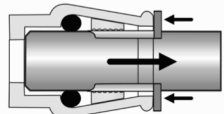
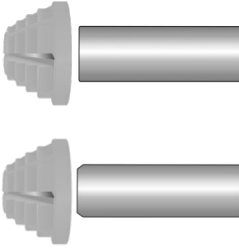
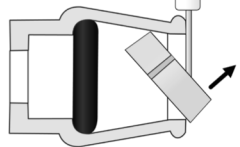
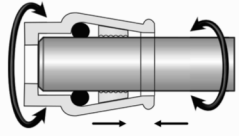

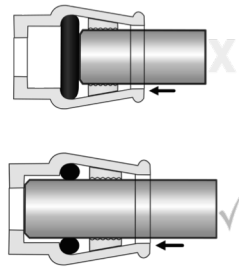
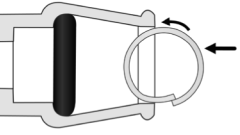
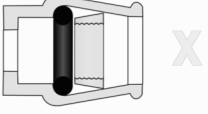
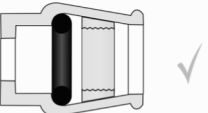


Scope of Use:

The Talbot Pushfit range of fittings are designed for the conveyance of cold potable water with a system pressure up to PN16 at 20°C. Save with the express written approval of Atplas, no warranty is given that the fittings are suitable for any other purpose. We reserve the right to change the design and specification without notice.

Pushfit Assembly Instructions		Pushfit Dismantling Instructions	
	1a. For PE80 pipe, push the correct size liner fully into the pipe.		1. To pull the pipe out, slide the extractors between the fitting and the pipe.
	1b. For other PE pipe types, like PE100 (SDR9 for 20mm, SDR11 for 25mm to 63mm) no liner is required and a bevel tool must be used: (e.g.1907-020063-95-01)		2. Extract the grip ring with a screwdriver. Check for damage and replace if necessary.
	2. Push the fitting fully onto the pipe with a slight twist action.		3. Extract and inspect the 'O' ring; replace if damaged.
	3. Ensure that the pipe passes two points of resistance and is fully seated.		4. Insert a new grip ring by overlapping the split edge and then rolling the ring while pushing it in.
			5. Ensure the grip ring is inserted the correct way around.
			

Product Specifications:

The products meet the requirements of the AS/NZS 4129 product standard for use with polyethylene pipes manufactured to AS/NZS 4130. The products are certified through the ApprovalMark scheme and are continuously monitored through the ISO Type 5 Certification Scheme.



Product Reference Table

Product materials and pressures for each of the parts is detailed below in the table:

PARTNUMBER	DESCRIPTION	MATERIAL	MAX PRESSURE
1907-020020-10-12	TALBOT PE PFT CONN 20 AWM	POLYPROPYLENE	16bar
1907-025025-10-12	TALBOT PE PFT CONN 25 AWM	POLYPROPYLENE	16bar
1907-032032-10-12	TALBOT PE PFT CONN 32 AWM	POLYPROPYLENE	16bar
1907-040040-10-12	TALBOT PE PFT CONN 40 AWM	POLYPROPYLENE	16bar
1907-050050-10-12	TALBOT PE PFT CONN 50 AWM	POLYPROPYLENE	16bar
1907-063063-10-12	TALBOT PE PFT CONN 63 AWM	POLYPROPYLENE	16bar
1907-020000-27-12	TALBOT PE PFT STOP END 20 AWM	ACETAL	16bar
1907-025000-27-12	TALBOT PE PFT STOP END 25 AWM	ACETAL	16bar
1907-032000-27-12	TALBOT PE PFT STOP END 32 AWM	ACETAL	16bar
1907-040000-27-12	TALBOT PE PFT STOP END 40 AWM	POLYPROPYLENE	16bar
1907-050000-27-12	TALBOT PE PFT STOP END 50 AWM	POLYPROPYLENE	16bar
1907-063000-27-12	TALBOT PE PFT STOP END 63 AWM	POLYPROPYLENE	16bar
1907-025020-15-12	TALBOT PE PFT REDC 25X20 AWM	POLYPROPYLENE	16bar
1907-032020-15-12	TALBOT PE PFT REDC 32X20 AWM	POLYPROPYLENE	16bar
1907-032025-15-12	TALBOT PE PFT REDC 32X25 AWM	POLYPROPYLENE	16bar
1907-040025-15-12	TALBOT PE PFT REDC 40X25 AWM	POLYPROPYLENE	16bar
1907-040032-15-12	TALBOT PE PFT REDC 40X32 AWM	POLYPROPYLENE	16bar
1907-050025-15-12	TALBOT PE PFT REDC 50X25 AWM	POLYPROPYLENE	16bar
1907-050032-15-12	TALBOT PE PFT REDC 50X32 AWM	POLYPROPYLENE	16bar
1907-050040-15-12	TALBOT PE PFT REDC 50X40 AWM	POLYPROPYLENE	16bar
1907-063020-15-12	TALBOT PE PFT REDC 63X20 AWM	POLYPROPYLENE	16bar
1907-063025-15-12	TALBOT PE PFT REDC 63X25 AWM	POLYPROPYLENE	16bar
1907-063032-15-12	TALBOT PE PFT REDC 63X32 AWM	POLYPROPYLENE	16bar
1907-063040-15-12	TALBOT PE PFT REDC 63X40 AWM	POLYPROPYLENE	16bar
1907-063050-15-12	TALBOT PE PFT REDC 63X50 AWM	POLYPROPYLENE	16bar
1907-025100-26-12	TALBOT PE PFT ADAP 25X1" F.BSP PAR AWM	ACETAL	16bar
1907-032114-26-12	TALBOT PE PFT ADAP 32X1.1/4" F.BSP PAR AWM	POLYPROPYLENE	16bar
1907-032112-26-12	TALBOT PE PFT ADAP 32X1.1/2" F.BSP PAR AWM	POLYPROPYLENE	16bar
1907-040100-26-12	TALBOT PE PFT ADAP 40X1" F.BSP PAR AWM	POLYPROPYLENE	16bar
1907-040112-26-12	TALBOT PE PFT ADAP 40X1.1/2" F.BSP PAR AWM	POLYPROPYLENE	16bar
1907-050112-26-12	TALBOT PE PFT ADAP 50X1.1/2" F.BSP PAR AWM	POLYPROPYLENE	16bar
1907-050200-26-12	TALBOT PE PFT ADAP 50X2" F.BSP PAR AWM	POLYPROPYLENE	16bar
1907-063200-26-12	TALBOT PE PFT ADAP 63X2" F.BSP PAR AWM	POLYPROPYLENE	16bar
1907-020012-25-12	TALBOT PE PFT ADAP 20X1/2" F.BSP TAP AWM	ACETAL	16bar
1907-020034-25-12	TALBOT PE PFT ADAP 20X3/4" F.BSP TAP AWM	ACETAL	16bar
1907-025034-25-12	TALBOT PE PFT ADAP 25X3/4" F.BSP TAP AWM	ACETAL	16bar
1907-032100-25-12	TALBOT PE PFT ADAP 32X1" F.BSP TAP AWM	ACETAL	16bar
1907-040114-25-12	TALBOT PE PFT ADAP 40X1.1/4" F.BSP TAP AWM	POLYPROPYLENE	16bar
1907-020020-30-12	TALBOT PE PFT ELB 20 AWM	POLYPROPYLENE	16bar
1907-025025-30-12	TALBOT PE PFT ELB 25 AWM	POLYPROPYLENE	16bar
1907-032032-30-12	TALBOT PE PFT ELB 32 AWM	POLYPROPYLENE	16bar
1907-040040-30-12	TALBOT PE PFT ELB 40 AWM	POLYPROPYLENE	16bar
1907-050050-30-12	TALBOT PE PFT ELB 50 AWM	POLYPROPYLENE	16bar
1907-063063-30-12	TALBOT PE PFT ELB 63 AWM	POLYPROPYLENE	16bar

Product Reference Table

PARTNUMBER	DESCRIPTION	MATERIAL	Max Pressure
1907-020012-21-12	TALBOT PE PFT ADAP 20X1/2"M.BSP AWM	ACETAL	16bar
1907-020034-21-12	TALBOT PE PFT ADAP 20X3/4"M.BSP AWM	ACETAL	16bar
1907-025012-21-12	TALBOT PE PFT ADAP 25X1/2"M.BSP AWM	ACETAL	16bar
1907-025034-21-12	TALBOT PE PFT ADAP 25X3/4"M.BSP AWM	POLYPROPYLENE	16bar
1907-025100-21-12	TALBOT PE PFT ADAP 25X1"M.BSP AWM	POLYPROPYLENE	16bar
1907-032012-21-12	TALBOT PE PFT ADAP 32X1/2"M.BSP AWM	ACETAL	16bar
1907-032034-21-12	TALBOT PE PFT ADAP 32X3/4"M.BSP AWM	POLYPROPYLENE	16bar
1907-032100-21-12	TALBOT PE PFT ADAP 32X1"M.BSP AWM	POLYPROPYLENE	16bar
1907-032114-21-12	TALBOT PE PFT ADAP 32X1.1/4"M.BSP AWM	POLYPROPYLENE	16bar
1907-040100-21-12	TALBOT PE PFT ADAP 40X1"M.BSP AWM	POLYPROPYLENE	16bar
1907-040114-21-12	TALBOT PE PFT ADAP 40X1.1/4"M.BSP AWM	POLYPROPYLENE	16bar
1907-040112-21-12	TALBOT PE PFT ADAP 40X1.1/2"M.BSP AWM	POLYPROPYLENE	16bar
1907-040200-21-12	TALBOT PE PFT ADAP 40X2"M.BSP AWM	POLYPROPYLENE	16bar
1907-050112-21-12	TALBOT PE PFT ADAP 50X1.1/2"M.BSP AWM	POLYPROPYLENE	16bar
1907-050200-21-12	TALBOT PE PFT ADAP 50X2"M.BSP AWM	POLYPROPYLENE	16bar
1907-063200-21-12	TALBOT PE PFT ADAP 63X2"M.BSP AWM	POLYPROPYLENE	16bar
1907-020034-45-12	TALBOT PE PFT ELB.ADAP 20X3/4"M.BSP AWM	ACETAL	16bar
1907-025034-45-12	TALBOT PE PFT ELB.ADAP 25X3/4"M.BSP AWM	ACETAL	16bar
1907-025100-45-12	TALBOT PE PFT ELB.ADAP 25X1"M.BSP AWM	ACETAL	16bar
1907-032100-45-12	TALBOT PE PFT ELB.ADAP 32X1"M.BSP AWM	ACETAL	16bar
1907-032114-45-12	TALBOT PE PFT ELB.ADAP 32X1 1/4"M.BSP AWM	ACETAL	16bar
1907-020012-47-12	TALBOT PE PFT ELB.ADAP 20X1/2"F.BSP PAR AWM	ACETAL	16bar
1907-020034-47-12	TALBOT PE PFT ELB.ADAP 20X3/4"F.BSP PAR AWM	ACETAL	16bar
1907-025012-47-12	TALBOT PE PFT ELB.ADAP 25X1/2"F.BSP PAR AWM	ACETAL	16bar
1907-025034-47-12	TALBOT PE PFT ELB.ADAP 25X3/4"F.BSP PAR AWM	ACETAL	16bar
1907-025100-47-12	TALBOT PE PFT ELB.ADAP 25X1"F.BSP PAR AWM	ACETAL	16bar
1907-032114-47-12	TALBOT PE PFT ELB.ADAP 32X1.1/4"F.BSP PAR AWM	ACETAL	16bar
1907-032100-47-12	TALBOT PE PFT ELB.ADAP 32X1"F.BSP PAR AWM	ACETAL	16bar
1907-040112-47-12	TALBOT PE PFT ELB.ADAP 40X1.1/2"F.BSP PAR AWM	POLYPROPYLENE	16bar
1907-050112-47-12	TALBOT PE PFT ELB.ADAP 50X1.1/2"F.BSP PAR AWM	POLYPROPYLENE	16bar
1907-050200-47-12	TALBOT PE PFT ELB.ADAP 50X2"F.BSP PAR AWM	POLYPROPYLENE	16bar
1907-063200-47-12	TALBOT PE PFT ELB.ADAP 63X2"F.BSP PAR AWM	POLYPROPYLENE	16bar
1907-020012-48-12	TALBOT PE PFT WALL PL.ELB 20X1/2"F.BSP AWM	ACETAL	16bar
1907-025012-48-12	TALBOT PE PFT WALL PL.ELB 25X1/2"F.BSP AWM	ACETAL	16bar
1907-025034-48-12	TALBOT PE PFT WALL PL.ELB 25X3/4"F.BSP AWM	ACETAL	16bar
1907-020020-50-12	TALBOT PE PFT SYM TEE 20 AWM	POLYPROPYLENE	16bar
1907-025025-50-12	TALBOT PE PFT SYM TEE 25 AWM	POLYPROPYLENE	16bar
1907-032032-50-12	TALBOT PE PFT SYM TEE 32 AWM	POLYPROPYLENE	16bar
1907-040040-50-12	TALBOT PE PFT SYM TEE 40 AWM	POLYPROPYLENE	16bar
1907-050050-50-12	TALBOT PE PFT SYM TEE 50 AWM	POLYPROPYLENE	16bar
1907-063063-50-12	TALBOT PE PFT SYM TEE 63 AWM	POLYPROPYLENE	16bar

Product Reference Table

PARTNUMBER	DESCRIPTION	MATERIAL	Max Pressure
1907-020032-52-12	TALBOT PE PFT TEE 20X20X32 AWM	ACETAL	16bar
1907-025020-52-12	TALBOT PE PFT TEE 25X25X20 AWM	POLYPROPYLENE	16bar
1907-025032-52-12	TALBOT PE PFT TEE 25X25X32 AWM	ACETAL	16bar
1907-032020-52-12	TALBOT PE PFT TEE 32X32X20 AWM	POLYPROPYLENE	16bar
1907-032025-52-12	TALBOT PE PFT TEE 32X32X25 AWM	POLYPROPYLENE	16bar
1907-040025-52-12	TALBOT PE PFT TEE 40X40X25 AWM	POLYPROPYLENE	16bar
1907-050025-52-12	TALBOT PE PFT TEE 50X50X25 AWM	POLYPROPYLENE	16bar
1907-063025-52-12	TALBOT PE PFT TEE 63X63X25 AWM	POLYPROPYLENE	16bar
1907-063032-52-12	TALBOT PE PFT TEE 63X63X32 AWM	POLYPROPYLENE	16bar
1907-020034-56-12	TALBOT PE PFT TEE 20X20MMX3/4" FEM.BSP PAR AWM	ACETAL	16bar
1907-025100-56-12	TALBOT PE PFT TEE 25X25MMX1" FEM.BSP PAR AWM	ACETAL	16bar
1907-032034-56-12	TALBOT PE PFT TEE 32X32MMX3/4" FEM.BSP PAR AWM	ACETAL	16bar
1907-040100-56-12	TALBOT PE PFT TEE 40X40MMX1" FEM.BSP PAR AWM	POLYPROPYLENE	16bar
1907-040112-56-12	TALBOT PE PFT TEE 40X40MMX1 1/2" FEM.BSP PAR AWM	POLYPROPYLENE	16bar
1907-050112-56-12	TALBOT PE PFT TEE 50X50MMX1 1/2" FEM.BSP PAR AWM	POLYPROPYLENE	16bar
1907-063200-56-12	TALBOT PE PFT TEE 63x63MMX2" FEM.BSP PAR AWM	POLYPROPYLENE	16bar
1907-020012-55-12	TALBOT PE PFT TEE 20X20MMX1/2" FEM.BSP TAP AWM	ACETAL	16bar
1907-025012-55-12	TALBOT PE PFT TEE 25X25MMX1/2" FEM.BSP TAP AWM	ACETAL	16bar
1907-025034-55-12	TALBOT PE PFT TEE 25X25MMX3/4" FEM.BSP TAP AWM	ACETAL	16bar
1907-032100-55-12	TALBOT PE PFT TEE 32X32MMX1" FEM.BSP TAP AWM	ACETAL	16bar
1907-025034-57-12	TALBOT PE PFT TEE 25X25MMX3/4" FEM.BSP TAP AWM	ACETAL	16bar
1907-020020-70-12	TALBOT PE PFT REPAIR CONN 20 AWM	ACETAL	16bar
1907-025025-70-12	TALBOT PE PFT REPAIR CONN 25 AWM	POLYPROPYLENE	16bar
1907-032032-70-12	TALBOT PE PFT REPAIR CONN 32 AWM	POLYPROPYLENE	16bar