

## TALBOT INTERNAL WATER METER CARRIER

16 Bar pressure rating



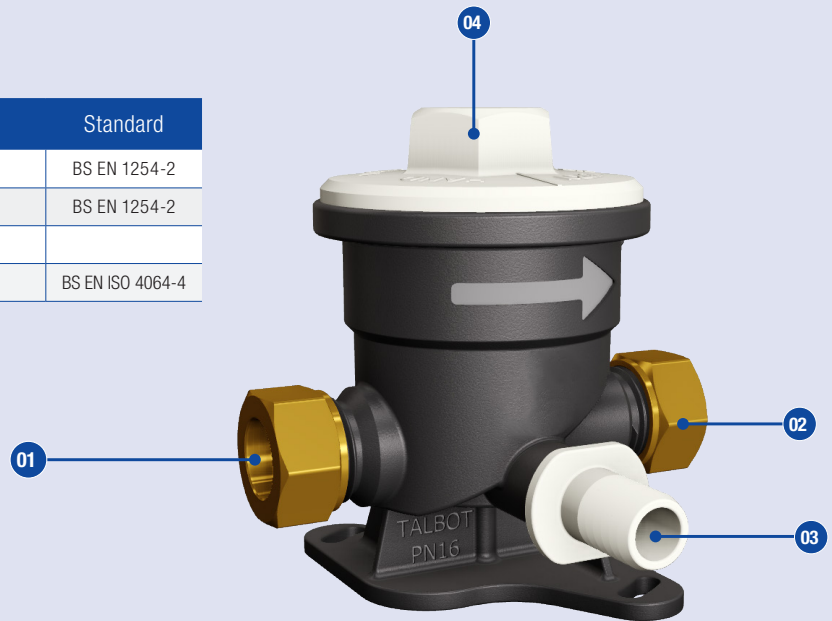
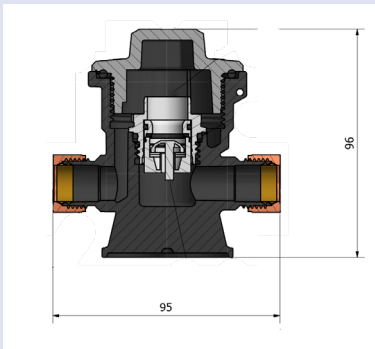
For quick and easy fitting of a concentric water meter inside a property. The carrier comes complete with a non-return valve and drain-off point, for simple and compact fitting and exchange of the meter. The range features different connection sizes for PE and/or copper pipe to fit every installation situation.

Feature	Specification
Drain Off Valve	To meet BS 2464
Meter Connection	1½" BSP concentric meter to BS EN ISO 4064; Q3 4.0 (Qn 2.5)
Inlet	15/22mm copper compression or pushfit connector for 25mm PE
Outlet	15/22mm copper compression

Product Code	Pipe dia. Inlet MM	Inlet Connection	Pipe dia. Outlet MM	Outlet Connection
MA3261515AM	15	Compression	15	Compression
MA3261522AM	15	Compression	22	Compression
MA3262215AM	22	Compression	15	Compression
MA3262222AM	22	Compression	22	Compression
MA3262515AM	25	PE Pushfit	15	Compression
MA3262522AM	25	PE Pushfit	22	Compression

The technical data and performance may be modified without prior notice depending on the technical advances.

Item	Description	Material	Standard
1	Inlet	Copper	BS EN 1254-2
2	Outlet	POM / PP	BS EN 1254-2
3	Drain Off Valve	POM	
4	Meter Cap and Body	POM	BS EN ISO 4064-4



### Technical data

Pressures Working Test  
Water: 16 bar 24 bar

Temperature: Up to 23°C

Temperature increases may affect the installed life of the product.  
For further information relating to operating temperatures/pressure please contact Atplas.

## CHARACTERISTICS

- Main body** from plastic (POM) with feet to screw down.
- Full flow meter cap** - plastic. Allows manifold to be flushed and tested prior to fitting the meter. Also compatible with the trickle flow and no flow caps.
- Drain off valve** - to meet BS 2464.
- NRV** - integrated in meter port. To WIS 5-11-01.
- Range of different outlets** for PE pushfit connection or copper compression fitting.
- Meter connection** - for G 1 1/2" meter to BS EN ISO 4064. Fits all commonly sold concentric meters.

