

GRADE B DUCTILE IRON SURFACE BOX

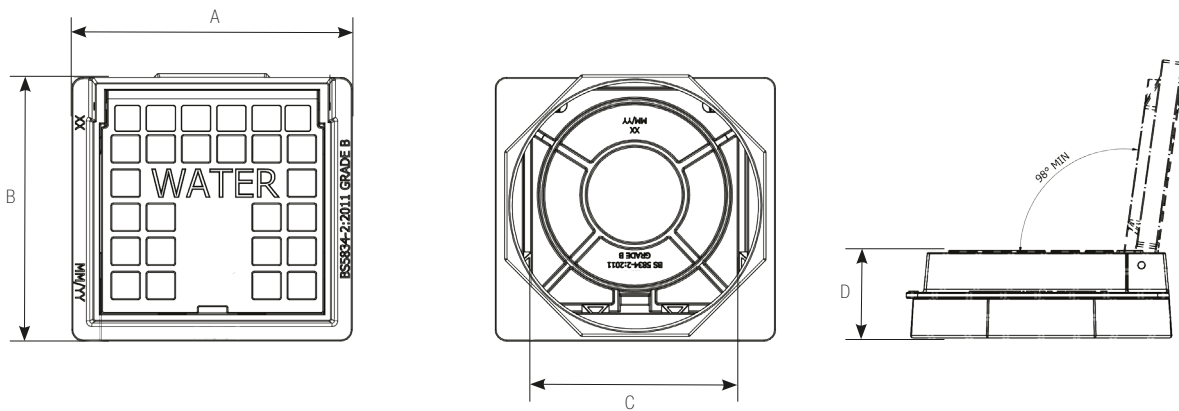
GRADE B DUCTILE IRON SURFACE BOX

Grade B ductile iron surface box which is designed to fit with the Matrix Plus and EBCO single water meter boundary boxes to ensure that it is suitable for use where ductile iron is specified for trafficable locations. Due to its surface pattern it provides excellent grip.



Benefits

- Robust and tough - for use in areas subject to occasional vehicle access
- Fits directly to Matrix Plus and EBCO single meter boxes
- Fully compliant with relevant aspects of BS 5834
- Anti slip lid design to BS 7976 Part 2



Product Code	A	B	C	D
WB572221BP	247mm	232mm	183mm	77mm

Feature	Specification
Frame and Cover	Minimal tilt when used with Matrix Plus or EBCO single meterbox. Square frame. Unsealed. Hinge opens over 90° to allow for free standing. Lid is compliant with relevant aspects of BS 5834.
Material	Ductile iron to EN GJS 500-7 to BS EN 1563:2001
Product Weight (approx)	8 kg