

MATRIX PLUS BELOW GROUND BOUNDARY BOX UNSEALED TELESCOPIC PLASTIC RAISED MANIFOLD

25/32mm PE Connections Class 2.N.SBB.T 16 Bar pressure rating Grade B load bearing



PRODUCT CODE	SURFACE BOX	GUARD TUBE SHAPE	CONNECTIONS	SHUT OFF
E11834	Grade B Ductile Iron	Matrix Plus S - Stadium	25mm PF	¼ Turn
E11836	Grade B Ductile Iron	Matrix Plus S - Stadium	32mm PF	¼ Turn
E11838	Grade B Ductile Iron	Matrix Plus S - Stadium - short box	25mm PF	¼ Turn
E11955	Grade B Ductile Iron	Matrix Plus R - Round	25mm PF	¼ Turn
E11956	Grade B Ductile Iron	Matrix Plus R - Round	32mm PF	¼ Turn

* Lid marked 'WATER' and incorporates metal detector plate

** Available with beige guard tube on request

*** Available with 360° spherical valve on request



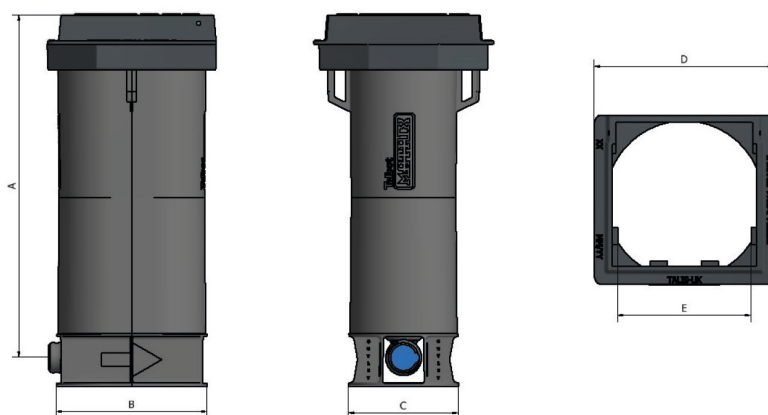
Matrix Plus Below Ground Boundary Box

MATRIX PLUS BELOW GROUND BOUNDARY BOX

Class 2.N.SBB.T 16 Bar pressure rating Grade B load bearing

Feature	Specification
Frame and Cover	Ductile iron to EN GJS 500-7. Minimal tilt. Square frame. Unsealed, Hinge opens over 90° to allow for free standing. Grade B load bearing according to BS 5834-2:2011
Guard Tube Material	Recycled Polypropylene
Guard Tube Profile	Stadium profile with 310mm x 202mm opening (Matrix Plus S) or round profile with diameter 194mm opening (Matrix Plus R)
Height Adjust (apr)	See below dimension table
Frost Protection	As standard in accordance with BS 5834-1:2017
Water Tightness	Unsealed Class 2.N.SBB.T
Shut Off Device	360°/ ¼ turn spherical valve
Check Valve	In accordance with BS EN 13959: 2004 Family E Type B. (Double check valve also available)
Manifold	Raised style in Plastic (Acetyl Co-Polymer)
Meter Connection	1½" BSP concentric meter to BS EN ISO 4064; Q3 4.
Head Loss	< 3 metres @ 25 l/min flow rate with meter
Inlet	25/32 mm Pushfit for PE pipe in accordance with WIS 4-32-11
Outlet	25/32 mm Pushfit for PE pipe in accordance with WIS 4-32-11
Blank Plugs	Full Flow (standard), Trickle Flow (optional), No Flow (optional). 27/28 mm tapered A/F hexagonal upstand
Product Weight (apr)	Standard Box: 3.7 kg Short Box: 3 kg
Pallet Quantity	50 per pallet (Matrix Plus S), 40 per pallet (Matrix Plus R)
Tools	BOP77011-28: 28mm socket for meter plug & NRV BOP77008: Short T bar 400mm long BOP77009: T bar extension 500mm long

The technical data and performance may be modified without prior notice depending on the technical advances.



Box	A (min/max)	B	C	D	E
Matrix Plus S	290-465mm / 475-810mm	207mm	151mm	227mm	173mm
Matrix Plus R	470/810mm	206mm	206mm	227mm	173mm