

## MATRIX PLUS BELOW GROUND BOUNDARY BOX SEALED TELESCOPIC PLASTIC RAISED MANIFOLD

20/32mm or ½" / ¾" / 1" Irish Heavy Gauge PE Connections  
Class 1.N.SBC.T 16 Bar pressure rating Grade C load bearing



PRODUCT CODE	SURFACE BOX	GUARD TUBE SHAPE	CONNECTIONS	SHUT OFF
E9195	Plastic Grade C	Matrix Plus S - Stadium	20mm PF	¼ Turn
E9196	Plastic Grade C	Matrix Plus S - Stadium	25mm PF	¼ Turn
E9197	Plastic Grade C	Matrix Plus S - Stadium	32mm PF	¼ Turn
E9900	Plastic Grade C	Matrix Plus S - Stadium	¾" Irish Heavy Gauge	¼ Turn
E9130	Plastic Grade C	Matrix Plus S - Stadium	½" Irish Heavy Gauge	¼ Turn
E9962	Plastic Grade C	Matrix Plus S - Stadium	1" Irish Heavy Gauge	¼ Turn
E9090	Plastic Grade C	Matrix Plus S - Stadium	½" Irish Heavy Gauge	¼ Turn

\* Lid marked 'WATER' and 'UISCE' incorporates metal detector plate



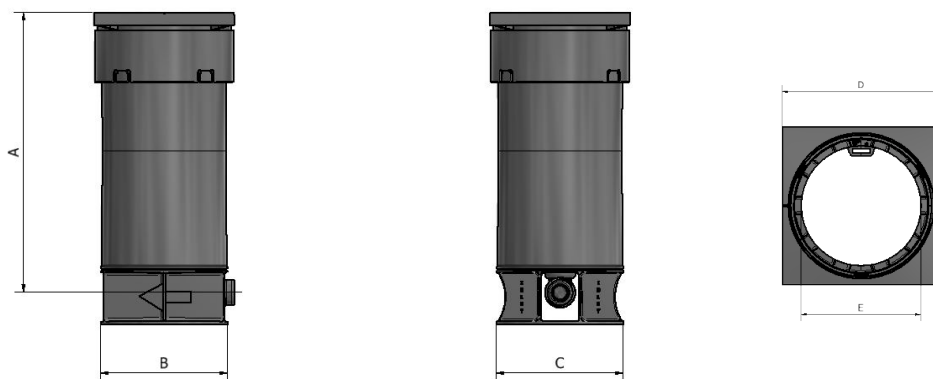
**Matrix Plus Below Ground Boundary Box**

## MATRIX PLUS BELOW GROUND BOUNDARY BOX

25/32mm PE Connections Class 1.N.SBC.T 16 Bar pressure rating Grade C load bearing

Feature	Specification
Frame and Cover	Glass filled polypropylene. Universal 8° tilt. Pluck lid with square frame. Lid tether as standard. Grade C load bearing according to BS 5834-2:2011
Guard Tube Material	Polypropylene
Guard Tube Profile	Stadium profile with 310mm x 202mm opening (Matrix Plus S)
Height Adjust (apr)	470mm to 850mm (inc. 50mm final height adjustment in surface box)
Frost Protection	As standard in accordance with BS 5834-1:2017
Water Tightness	Sealed Class 1.N.SBC.T
Shut Off Device	¼ turn spherical valve
Check Valve	In accordance with BS EN 13959: 2004 Family E Type B. (Double check valve also available)
Manifold	Raised style in Plastic (Acetyl Co-Polymer)
Meter Connection	1½" BSP concentric meter to BS EN ISO 4064; Q3 4.0 (Qn 2.5)
Head Loss	< 3 metres @ 25 l/min flow rate with meter
Inlet	25/32 mm Pushfit for PE pipe in accordance with WIS 4-32-11 or ½", ¾", 1" Irish Heavy Gauge push fit for PE pipe
Outlet	25/32 mm Pushfit for PE pipe in accordance with WIS 4-32-11 or ½", ¾", 1" Irish Heavy Gauge push fit for PE pipe
Blank Plugs	Full Flow (standard), Trickle Flow (optional), No Flow (optional). 27/28 mm tapered A/F hexagonal upstand
Product Weight (apr)	Standard Box: 3.7 kg
Pallet Quantity	50 per pallet
Tools	BOP77011-28: 28mm socket for meter plug & NRV BOP77008: Short T bar 400mm long BOP77009: T bar extension 500mm long

The technical data and performance may be modified without prior notice depending on the technical advances.



Box	A (min/max)	B	C	D	E
Matrix Plus S	470-850mm	207mm	151mm	227mm	173mm
E9090	290-465mm	207mm	151mm	227mm	173mm