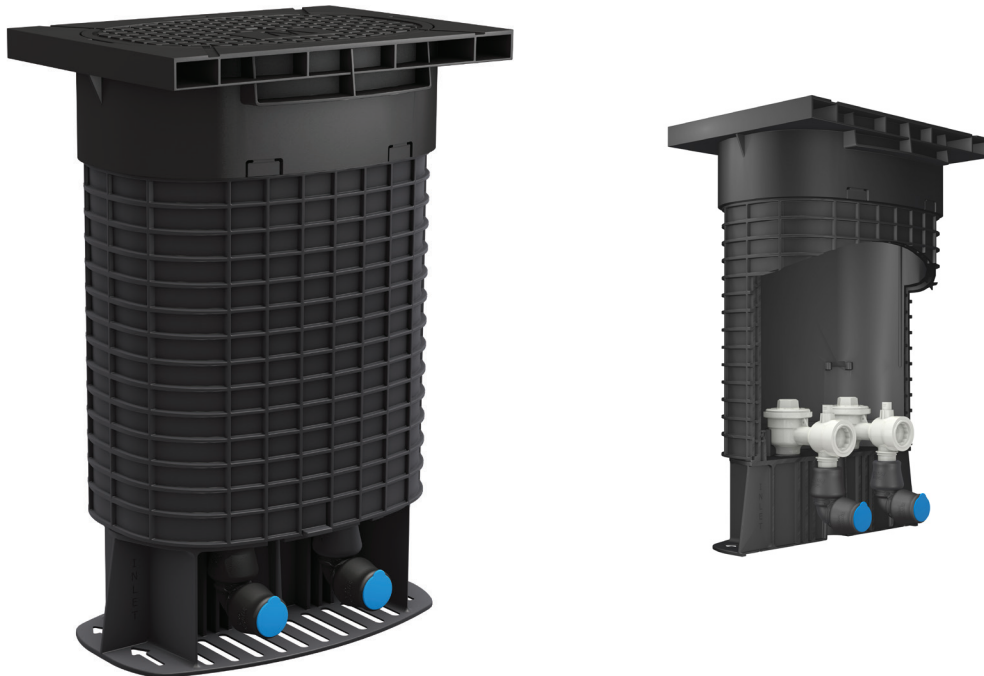


MATRIX DOUBLE BELOW GROUND BOUNDARY BOX SEALED TELESCOPIC PLASTIC RAISED MANIFOLD

25/32mm PE Connections 16 Bar* pressure rating Class B load bearing



PRODUCT CODE SEALED BOX CLASS 1.N.SBB.T	PRODUCT CODE UNSEALED BOX CLASS 2.N.SBB.T	INLET	OUTLET	SHUT OFF	MANIFOLD STYLE
MA5743225SQ	MA5743225USQ	1 x 32mm PF	2 x 25mm PF	¼ Turn with Matrix long key	Raised Plastic
MA5743232SQ	MA5743232USQ	1 x 32mm PF	2 x 32mm PF	¼ Turn with Matrix long key	Raised Plastic
MA5743225TSQ	MA5743225TUSQ	1 x 32mm PE tail*	2 x 25mm PE tails*	¼ Turn with Matrix long key	Raised Plastic
MA57425SQ	MA57425USQ	2 x 25mm PF	2 x 25mm PF	¼ Turn with Matrix long key	Raised Plastic
MA57425TSQ	MA57425TUSQ	2 x 25mm PE tails*	2 x 25mm PE tails*	¼ Turn with Matrix long key	Raised Plastic
MA57432SQ	MA57432USQ	2 x 32mm PF	2 x 32mm PF	¼ Turn with Matrix long key	Raised Plastic

* PE tails PN12

** For oval frame without rectangular plate, remove SQ from the end of the code

*** Lid marked 'WATER' and incorporates metal detector plate

**** Available with beige guard tube on request



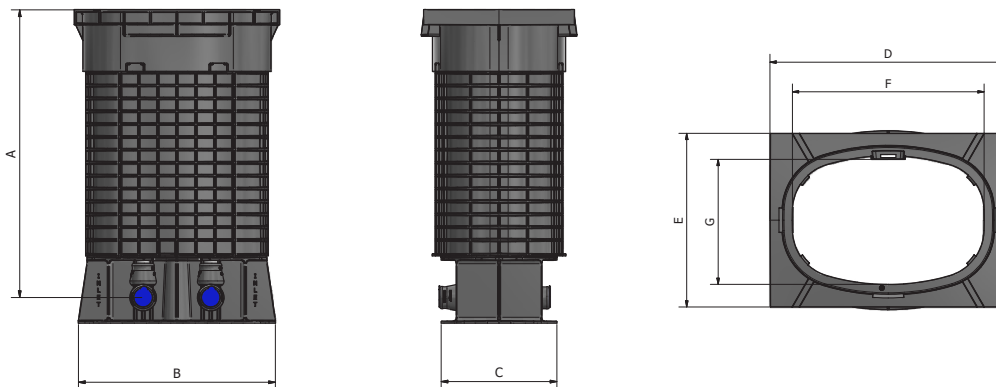
Matrix Double Box Below Ground Boundary Box

MATRIX DOUBLE BELOW GROUND BOUNDARY BOX SEALED

16 Bar pressure rating Class B load bearing

Feature	Specification
Compliance to BS 5834-1:2017	Compliance to BS 5834-1:2017
Frame and Cover	EN 124 Class B (12.5t loading) (polymer): Universal 6° tilt. Pluck lid with oval or rectangular trim. Lid tether as standard
Guard Tube Material	Recycled Polypropylene (black). Available in beige polypropylene on request
Guard Tube Profile	Stadium profile with 310mm x 202mm opening
Height Adjust (apr)	543 - 914mm (inc. 50mm final height adjustment in surface box)
Frost Protection	As standard in accordance with BS 5834-1:2017
Water Tightness	Sealed Class 1 or Unsealed Class 2 (BS 5834-1:2017)
Shut Off Device	¼ turn spherical valve supplied with Matrix long key 8292
Check Valve	Check valve in accordance with BS EN 13959: 2004 Family E Type B WIS 5-11-01 (double check valve on request)
Manifold	Raised style in Plastic (Acetyl Co-Polymer)
Meter Connection	2 x 1½" BSP concentric meters to BS EN ISO 4064; Q3 4.0 (Qn 2.5)
Head Loss	< 3 metres @ 25 l/min flow rate with meter and single check valve
Inlet	1 or 2 x 32mm or 2 x 25mm Pushfit for PE pipe in accordance with WIS 4-32-11 or PE tails
Outlet	2 x 25mm or 2 x 32mm Pushfit for PE pipe in accordance with WIS 4-32-11 or PE tails
Blank Plugs	Full Flow (standard), Trickle Flow (optional), No Flow (optional). 27/28 mm tapered A/F hexagonal upstand
Product Weight (apr)	9 kg
Pallet Quantity	20 per pallet (push fit version)
Tools	BOP77011-28: 28mm socket for meter plug & NRV BOP77008: Short T bar 400mm long BOP77009: T bar extension 500mm long

The technical data and performance may be modified without prior notice depending on the technical advances.



Box	A (min/max)	B	C	D	E	F	G
Matrix Double	543-914mm	367mm	216mm	383mm	281mm	310mm	202mm