

## EBCO BELOW GROUND BOUNDARY BOX UNSEALED TELESCOPIC RAISED MANIFOLD

25/32mm PE Connections Class 2.N.SBC.T or 2.N.SBB.T 12.5 Bar pressure rating Grade C or Grade B load bearing



PRODUCT CODE	SURFACE BOX	CONNECTION	SHUT OFF	HEIGHT
MBR1100	Matrix Grade C	25mm BPF	¼ Turn	557-887 mm
MBR1100B	Matrix Grade B	25mm BPF	¼ Turn	625-926 mm
MBR1100DI	Grade B Ductile Iron	25mm BPF	¼ Turn	593-843 mm
MBR1100S	Matrix Grade C	25mm BPF	¼ Turn	437-587 mm
MBR1104B	Matrix Grade B	32mm BPF	¼ Turn	625-926 mm



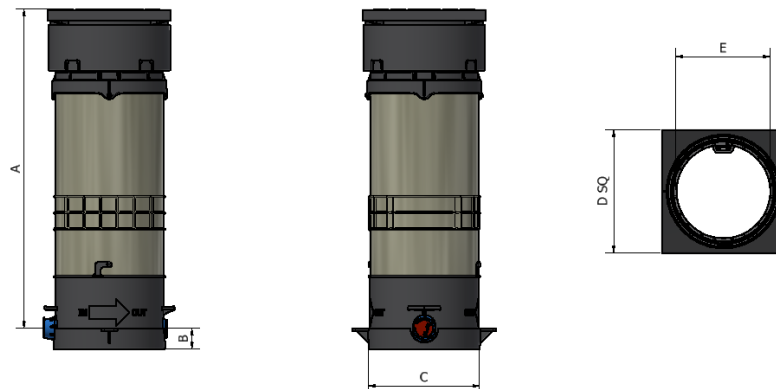
**EBCO Below Ground Boundary Box**

## EBCO BELOW GROUND BOUNDARY BOX

25/32mm PE Connections Class 2.N.SBC.T or 2.N.SBB.T 12.5 Bar pressure rating Grade C or Grade B load bearing

Feature	Specification
Frame and Cover	Grade C: Glass filled polypropylene. Universal 8° tilt. Pluck lid with square frame. Lid tether as standard. Grade B (polymer): Glass filled polypropylene. Universal 8° tilt. Pluck lid with square swivel plate. Lid tether as standard. Grade B (DI): Ductile iron. Minimal tilt. Square frame. Unsealed & hinge opens over 90° to allow for free standing. Load bearing according to BS 5834-2:2011
Guard Tube Material	Polypropylene
Guard Tube Profile	Cylindrical with 188/200 mm diameter / 4 mm
Height Adjust (apr)	See below dimension table
Frost Protection	As standard in accordance with BS 5834-1:2017
Water Tightness	Unsealed Class 2
Shut Off Device	¼ turn spherical valve
Check Valve	In accordance with BS EN 13959:2004 Family E Type B. (Double check valve also available)
Manifold	Raised in Plastic
Meter Connection	1½" BSP concentric meter to BS EN ISO 4064; Q3 4.0 (Qn 2.5)
Head Loss	< 3 metres @ 25 l/min flow rate with meter
Inlet	25/32 mm Pushfit for PE pipe in accordance with WIS 4-32-11
Outlet	25/32 mm Pushfit for PE pipe in accordance with WIS 4-32-11
Blank Plugs	Full Flow (standard), Trickle Flow (optional), No Flow (optional). 27/28 mm tapered A/F hexagonal upstand
Product Weight (apr)	4.8 kg
Pallet Quantity	40 per pallet (MBR1104B: 15)

The technical data and performance may be modified without prior notice depending on the technical advances.



Box	A (Min/Max)	B	C	D	E
MBR1100	557 - 887 mm	38 mm	205 mm	227 mm	173 mm
MBR1100B	625 - 926 mm	38 mm	205 mm	227 mm	172 mm
MBR1100DI	593 - 843 mm	38 mm	205 mm	232 mm	198 mm
MBR1100S	437 - 587 mm	38 mm	205 mm	227 mm	172 mm
MBR1104B	625 - 926 mm	38 mm	205 mm	227 mm	172 mm