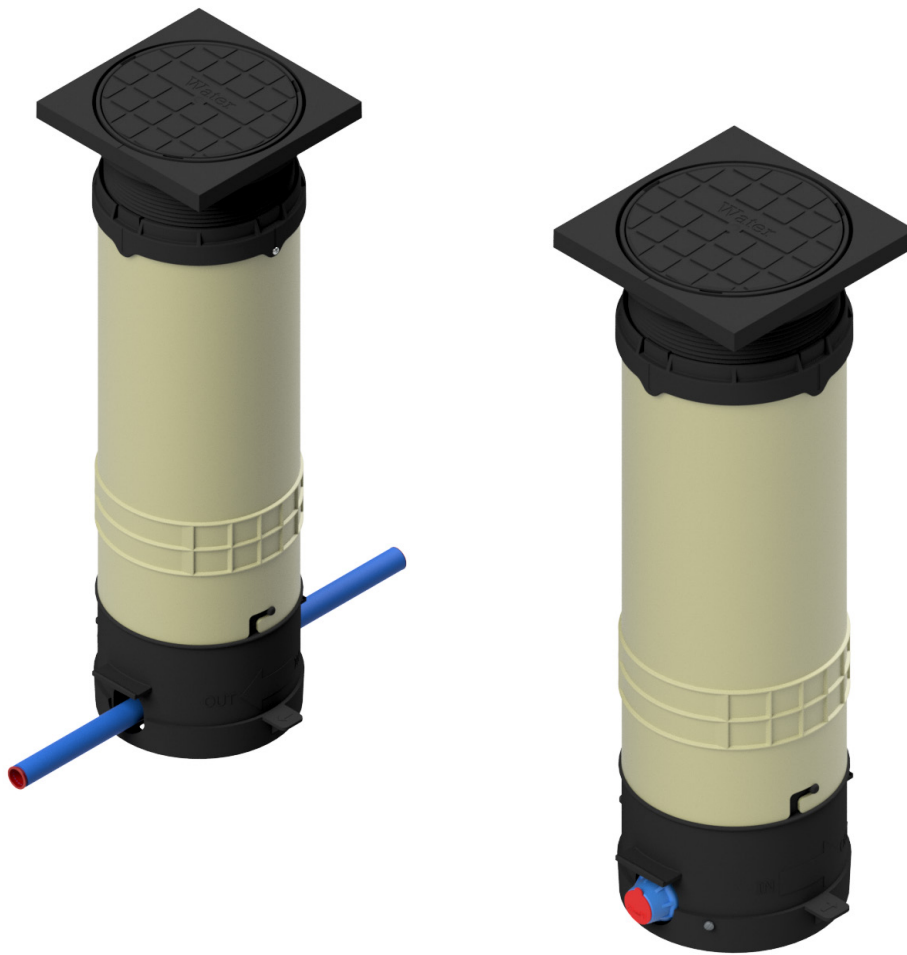


## EBCO BELOW GROUND BOUNDARY BOX UNSEALED TELESCOPIC PLASTIC BASE

25mm PF or PE Connections Class 2. N.SBC.T Grade C load bearing



PRODUCT CODE	SURFACE BOX	CLASS	CONNECTION	SHUT OFF	MANIFOLD STYLE
MBR0925	Ratchet - Grade C	Class 2.N.SBC.T	25 mm PF	¼ Turn	Raised Plastic
MBR0910	Ratchet - Grade C	Class 2.N.SBC.T	25 mm PE Tails	¼ Turn	Raised Plastic



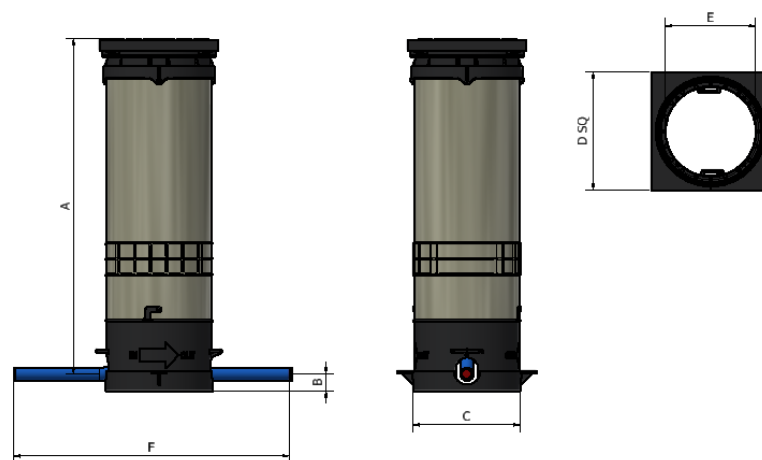
**EBCO Unsealed Telescopic Below Ground Boundary Box**

## EBCO BELOW GROUND BOUNDARY BOX

25mm PF or PE Connections Class 2. N.SBC.T Grade C load bearing

Feature	Specification
Frame and Cover	Plastic Grade C Pluck lid and square plate assembly
Ratchet Sleeve	Recycled Polypropylene 200mm Adjustment
Guard Tube Material	Polypropylene
Guard Tube Profile	Cylindrical 200mm diameter
Height Adjustment	See below dimension table
Frost Protection	As standard in accordance with BS 5834-1:2017
Watertightness	Unsealed Class 2
Shut Off Device	¼ turn spherical valve
Check Valve	In accordance with BS EN 13959: 2004 Family E Type B.
Manifold	Raised style in Plastic (Acetyl Co-Polymer)
Meter Connection	1½" BSP concentric meter to BS EN ISO 4064; Q3 4.0
Head Loss	< 3 metres @ 25 l/min flow rate with meter
Inlet	25/32 mm Pushfit for PE pipe in accordance with WIS 4-32-11 or 25mm PE tails
Outlet	25/32 mm Pushfit for PE pipe in accordance with WIS 4-32-11 or 25mm PE tails
Blank Plugs	Full Flow (standard), Trickle Flow (optional), No Flow (optional). 27/28 mm tapered A/F hexagonal upstand
Product Weight (apr)	4.2 Kg
Pallet Quantity	40 per pallet
Tools	BOP77011-28: 28mm socket for meter plug & NRV BOP77008: Short T bar 400mm long BOP77009: T bar extension 500mm long

The technical data and performance may be modified without prior notice depending on the technical advances.



Box	A (min/max)	B	C	D	E	F
MBR0925	626-832 mm	38 mm	205 mm	227 mm	173 mm	-
MBR0910	638-838 mm	32 mm	205 mm	227 mm	173 mm	524 mm