

## EBCO BELOW GROUND BOUNDARY BOX UNSEALED RIGID GUNMETAL BASE MANIFOLD

3/4" BSP Female Connections Class 2.N



| PRODUCT CODE | SURFACE BOX | CLASS | CONNECTION  | SHUT OFF | MANIFOLD STYLE            |
|--------------|-------------|-------|-------------|----------|---------------------------|
| MBB0460      | None        | 2.N   | 3/4" Female | 1/4 Turn | Base / 3/4" Gunmetal Long |



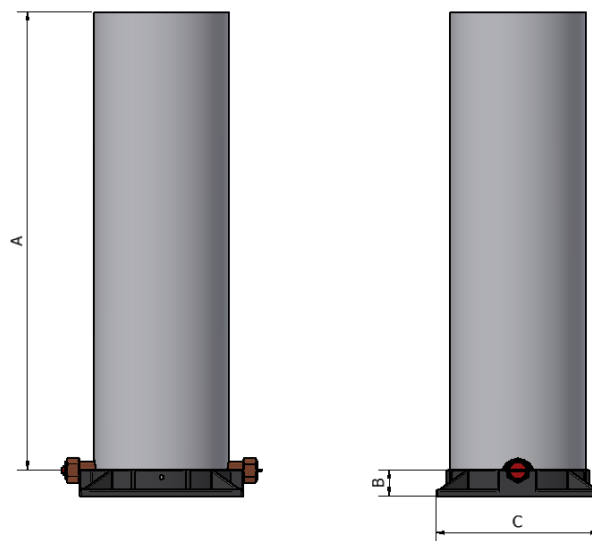
**EBCO Unsealed Rigid Gunmetal Below Ground Boundary Box**

## EBCO BELOW GROUND BOUNDARY BOX

25mm PE, 3/4" BSP Female & 22mm Copper Connections Class 2.N

| Feature                 | Specification                                                                                                             |
|-------------------------|---------------------------------------------------------------------------------------------------------------------------|
| Guard Tube Material     | PVC                                                                                                                       |
| Guard Tube Profile      | Cylindrical with 200mm diameter / 4mm                                                                                     |
| Height                  | 677 mm                                                                                                                    |
| Frost Protection        | As standard in accordance with BS 5834-1:2017                                                                             |
| Water Tightness         | Unsealed - Class 2                                                                                                        |
| Shut Off Device         | 1/4 Turn                                                                                                                  |
| Check Valve             | In accordance with BS EN 13959: 2004 Family E Type B                                                                      |
| Manifold                | Base style; 3/4" Gunmetal Long                                                                                            |
| Meter Connection        | 1 1/2" BSP concentric meters to BS EN ISO 4064; Q3 4.0                                                                    |
| Head Loss               | < 3 metres @ 25 l/min flow rate with meter                                                                                |
| Inlet                   | 3/4" BSP Female                                                                                                           |
| Outlet                  | 3/4" BSP Female                                                                                                           |
| Blanking Plugs          | Full Flow (standard), Trickle Flow (optional), No Flow (optional). 27/28 mm tapered A/F hexagonal upstand                 |
| Product Weight (approx) | 4.2 kg                                                                                                                    |
| Pallet Quantity         | 20 per pallet                                                                                                             |
| Tools                   | BOP77011-28: 28mm socket for meter plug & NRV<br>BOP77008: Short T bar 400mm long<br>BOP77009: T bar extension 500mm long |

The technical data and performance may be modified without prior notice depending on the technical advances.



| Box  | A (min/max) | B     | C      |
|------|-------------|-------|--------|
| EBCO | 677 mm      | 38 mm | 242 mm |