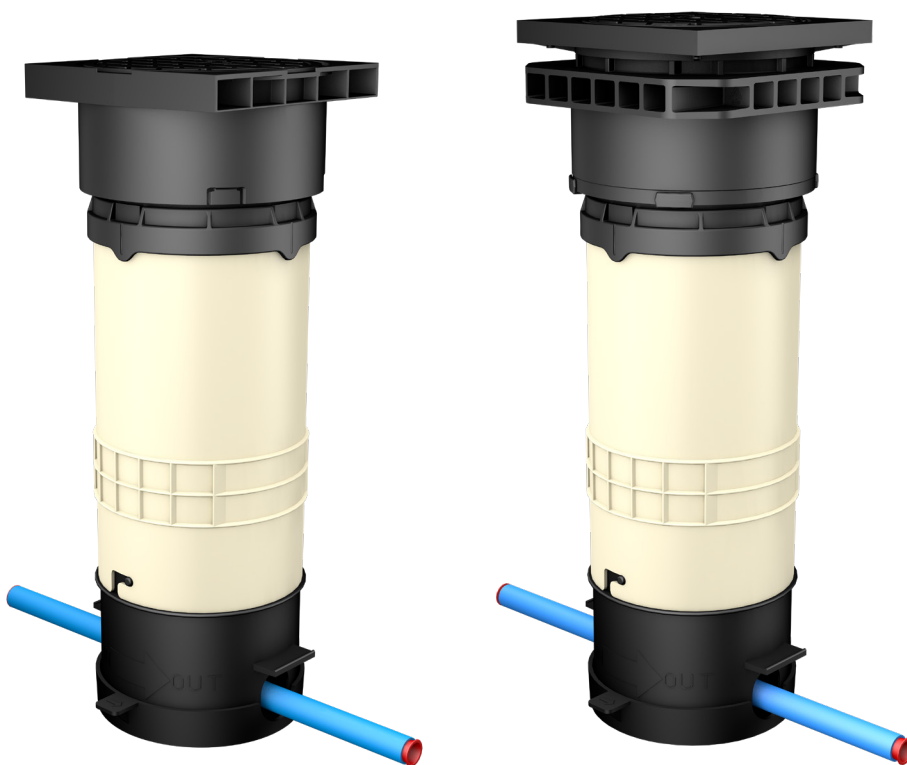


EBCO BELOW GROUND BOUNDARY BOX UNSEALED TELESCOPIC PLASTIC RAISED MANIFOLD

12.5 Bar pressure rating Grade C or Grade B load bearing



PRODUCT CODE	SURFACE BOX	CLASS	CONNECTION	SHUT OFF	MANIFOLD STYLE
MBR0010	Matrix Grade C	2.N.SBC.T	25mm tails	¼ Turn	Plastic Raised
MBR0010B	Matrix Grade B	2.N.SBB.T	25mm tails	¼ Turn	Plastic Raised
MBR0010S	Matrix Grade C	2.N.SBC.T	25mm tails	¼ Turn	Plastic Raised
MBR0010SB	Matrix Grade B	2.N.SBB.T	25mm tails	¼ Turn	Plastic Raised

* Lid marked 'WATER'



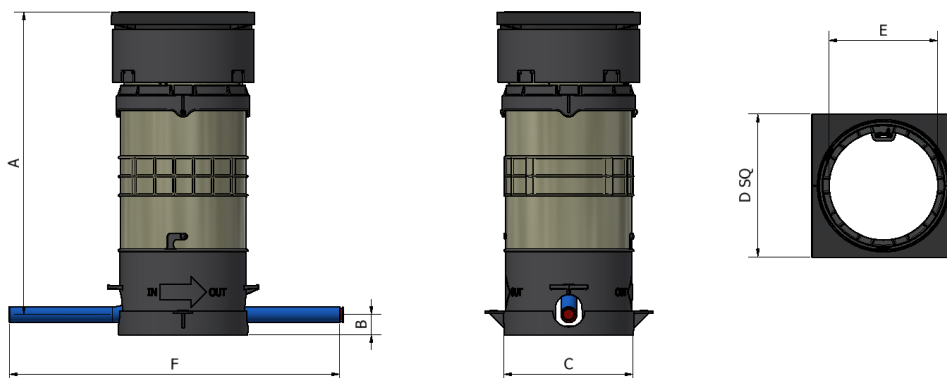
EBCO Telescopic Raised Tails Below Ground Boundary Box

EBCO BELOW GROUND BOUNDARY BOX

25mm MDPE tails

Feature	Specification
Frame and Cover	Grade C: Glass filled polypropylene. Universal 8° tilt. Pluck lid with square frame. Lid tether as standard. Grade B (polymer): Glass filled polypropylene. Universal 8° tilt. Pluck lid with square swivel plate. Lid tether as standard. Load bearing according to BS 5834-2:2011
Guard Tube Material	Polypropylene
Guard Tube Profile	Cylindrical with 188-200mm diameter / 4mm wall tube
Height Adjust (apr)	See below dimension table
Frost Protection	As standard in accordance with BS 5834-1:2017
Water Tightness	Unsealed Class 2.N.SBB.T or Class 2.N.SBC.T
Shut Off Device	¼ turn spherical valve
Check Valve	Check valve in accordance with BS EN 13959: 2004 Family E Type B
Manifold	Raised style in Plastic (Acetal Co-Polymer)
Meter Connection	1½" BSP concentric meters to BS EN ISO 4064; Q3 4.0
Head Loss	< 3 metres @ 25 l/min flow rate with meter
Inlet	25mm MDPE tails retained in accordance with WIS 4-32-11
Outlet	25mm MDPE tails retained in accordance with WIS 4-32-11
Blank Plugs	Full Flow (standard), Trickle Flow (optional), No Flow (optional) all in Acetal. 28 mm tapered A/F hexagonal upstand
Product Weight (apr)	6.23kg
Pallet Quantity	30
Tools	BOP77011-28: 28mm socket for meter plug and check valve BOP77008: Short T bar 400mm long BOP77009: T bar extension 500mm long

The technical data and performance may be modified without prior notice depending on the technical advances.



Box	A (min/max)	B	C	D	E	F
MBR0010	597/900 mm	32 mm	205 mm	227 mm	Ø173 mm	524 mm
MBR0010B	636/933 mm	32 mm	205 mm	227 mm	Ø173 mm	524 mm
MBR0010S	480/735 mm	32 mm	205 mm	227 mm	Ø173 mm	524 mm
MBR0010SB	519/773 mm	32 mm	205 mm	227 mm	Ø173 mm	524 mm