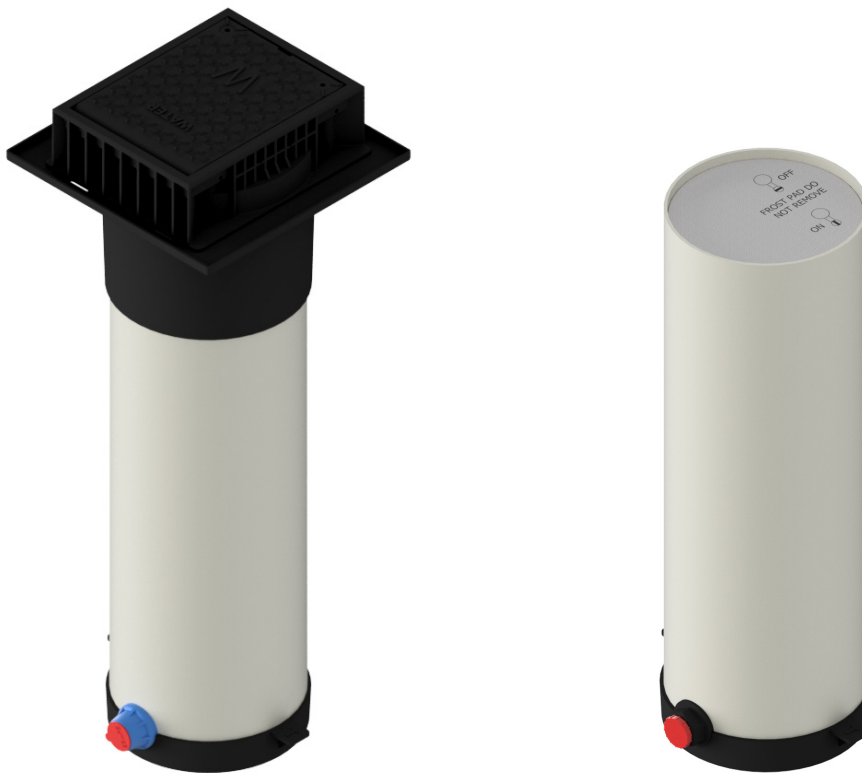


EBCO BELOW GROUND BOUNDARY BOX UNSEALED RIGID PLASTIC BASE MANIFOLD

25mm PE or ¾" BSP Female Class 2. N.SBC or 2.N 12.5 Bar pressure rating



PRODUCT CODE	SURFACE BOX	CLASS	GUARD TUBE SHAPE	CONNECTION	SHUT OFF	MANIFOLD STYLE	HEIGHT
MBB0701	EBCO	Class 2.N.SBC		25mm PF	¼ Turn	Base / Plastic	726 - 876mm
MBB0500S	None	Class 2.N		25mm PF	¼ Turn	Base / Plastic	500mm
MBB0775	None	Class 2.N		¾" Female	¼ Turn	Base / Plastic	567mm
MBB0707CWC	None	Class 2.N		25mm PF	¼ Turn Clock Close	Base / Plastic	677mm



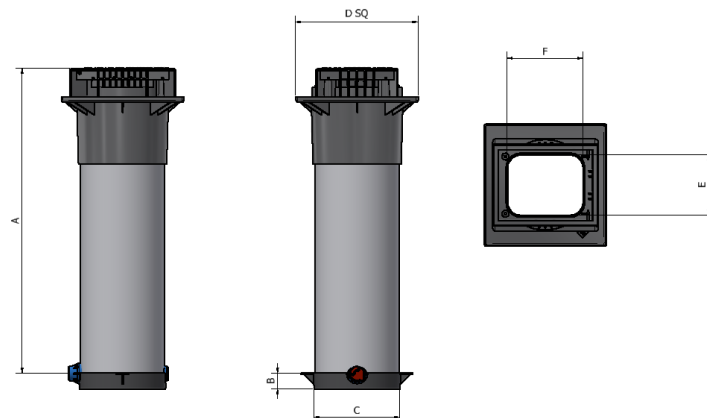
EBCO Below Ground Boundary Box

EBCO BELOW GROUND BOUNDARY BOX

25mm PE or 3/4" BSP Female Class 2. N.SBC or 2.N 12.5 Bar pressure rating

Feature	Specification
Frame and Cover	Universal 3° tilt. Rectangular frame and lid. Sealed or unsealed hinged with snap shut lid. 150mm of final adjustment. Glass Filled Polypropylene. Grade C load bearing according to WIS 4-37-01. Available without surface box
Guard Tube Material	PVC
Guard Tube Profile	Cylindrical with 180/200mm diameter / 4mm
Height Adjust (apr)	See below dimension table
Frost Protection	As standard in accordance with BS 5834-1:2017
Water Tightness	Unsealed Class 2
Shut Off Device	1/4 turn spherical valve
Check Valve	In accordance with BS EN 13959: 2004 Family E Type B. (Double check valve also available)
Manifold	Base style; plastic short (acetel co-polymer)
Meter Connection	1 1/2" BSP concentric meter to BS EN ISO 4064; Q3 4.0
Head Loss	< 3 metres @ 25 l/min flow rate with meter
Inlet options	25mm Pushfit for PE pipe in accordance with WIS 4-32-11, or 3/4" BSP Female Outlet Outlet as per selected
Outlet	Outlet as per selected inlet
Blank Plugs	Full Flow (standard), Trickle Flow (optional), No Flow (optional). 27/28 mm tapered A/F hexagonal upstand
Product Weight (apr)	2.9 kg to 4.3kg
Pallet Quantity	MBB0701: 16, MBB0500S: 20, MBB0705: 40, MBB0707CWC: 50
Tools	BOP77011-28: 28mm socket for meter plug & NRV BOP77008: Short T bar 400mm long BOP77009: T bar extension 500mm long

The technical data and performance may be modified without prior notice depending on the technical advances.



Box	A (min/max)	B	C	D	E	F
MBB0701	726-876mm	37mm	205mm	290mm	200mm	145mm
MBB0500S	677mm	37mm	205mm	-	-	-
MBB0775	567mm	37mm	205mm	-	-	-
MBB0707CWC	677mm	37mm	205mm	-	-	-