

## MATRIX PLUS BELOW GROUND BOUNDARY BOX SEALED TELESCOPIC PLASTIC RAISED MANIFOLD

25mm PE or ½" HG Connections Class 1.N.SBB.T 16 Bar pressure rating Grade B load bearing



PRODUCT CODE	SURFACE BOX	GUARD TUBE SHAPE	CONNECTIONS	SHUT OFF
E11888	Grade B Polymer	Matrix Plus S - Stadium	25mm PF	¼ Turn
E11886	Grade B Polymer	Matrix Plus R - Round	½" Irish	¼ Turn
E11889	Grade B Polymer	Matrix Plus R - Round	25mm PF	¼ Turn

\* Lid marked 'WATER' and 'UISCE' and incorporates metal detector plate



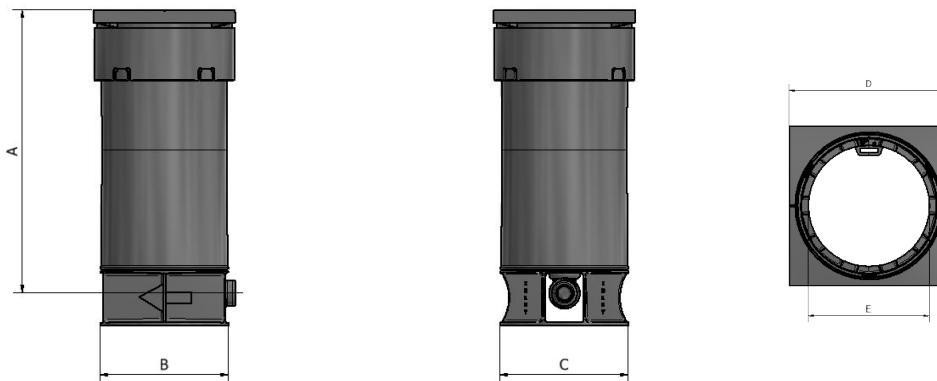
**Matrix Plus Below Ground Boundary Box**

## MATRIX PLUS BELOW GROUND BOUNDARY BOX

25/32mm PE Connections Class 1.N.SBB.T 16 Bar pressure rating Grade B load bearing

Feature	Specification
Frame and Cover	Universal 8° tilt. Pluck lid with Square swivel plate. Lid tether as standard. Glass Filled Polypropylene, Grade B load bearing according to BS 5834-2:2011
Guard Tube Material	Recycled Polypropylene
Guard Tube Profile	Stadium profile with 310mm x 202mm opening (Matrix Plus S) or round profile with diameter 194mm opening (Matrix Plus R)
Height Adjust (apr)	See below dimension table
Frost Protection	As standard in accordance with BS 5834-1:2017
Water Tightness	Sealed Class 1.N.SBB.T
Shut Off Device	360°/ ¼ turn spherical valve
Check Valve	In accordance with BS EN 13959: 2004 Family E Type B. (Double check valve also available)
Manifold	Raised style in Plastic (Acetyl Co-Polymer)
Meter Connection	1½" BSP concentric meter to BS EN ISO 4064; Q3 4.0 (Qn 2.5)
Head Loss	< 3 metres @ 25 l/min flow rate with meter
Inlet	25 mm Pushfit for PE pipe in accordance with WIS 4-32-11 or ½" Irish Heavy Gauge Pufh fit for PE
Outlet	25 mm Pushfit for PE pipe in accordance with WIS 4-32-11 or ½" Irish Heavy Gauge Pufh fit for PE
Blank Plugs	Full Flow (standard), Trickle Flow (optional), No Flow (optional). 27/28 mm tapered A/F hexagonal upstand
Product Weight (apr)	Standard Box: 3.7 kg Short Box: 3 kg
Pallet Quantity	50 per pallet (Matrix Plus S), 40 per pallet (Matrix Plus R)
Tools	BOP77011-28: 28mm socket for meter plug & NRV BOP77008: Short T bar 400mm long BOP77009: T bar extension 500mm long

The technical data and performance may be modified without prior notice depending on the technical advances.



Box	A (min/max)	B	C	D	E
Matrix Plus S	320-540mm / 510-885mm	207mm	151mm	227mm	173mm
Matrix Plus R	500/880 mm	206mm	206mm	227mm	173mm