

EBCO BELOW GROUND BOUNDARY BOX UNSEALED RIGID GUNMETAL BASE MANIFOLD

3/4" BSP Female Connections Class 2.N

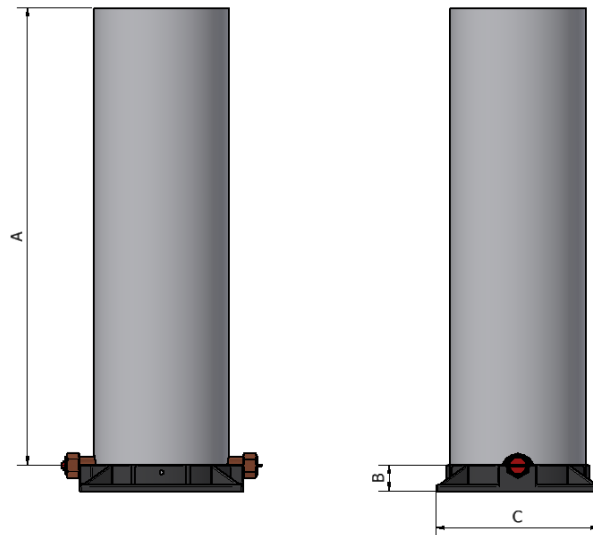


PRODUCT CODE	SURFACE BOX	CLASS	CONNECTION	SHUT OFF	MANIFOLD STYLE
1953-734-45-0-03-022001	None	2.N	3/4" Female	1/4 Turn	Base / 3/4" Gunmetal Long



Feature	Specification
Guard Tube Material	PVC
Guard Tube Profile	Cylindrical with 200mm diameter / 4mm
Height	677 mm
Frost Protection	As standard in accordance with BS 5834-1:2017
Water Tightness	Unsealed - Class 2
Shut Off Device	¼ Turn
Check Valve	In accordance with BS EN 13959: 2004 Family E Type B
Manifold	Base style; ¾" Gunmetal Long
Meter Connection	1½" BSP concentric meters to BS EN ISO 4064; Q3 4.0
Head Loss	< 3 metres @ 25 l/min flow rate with meter
Inlet	¾" BSP Female
Outlet	¾" BSP Female
Blanking Plugs	Full Flow (standard), Trickle Flow (optional), No Flow (optional). 27/28 mm tapered A/F hexagonal upstand
Product Weight (approx)	4.2 kg
Pallet Quantity	20 per pallet
Tools	BOP77011-28: 28mm socket for meter plug & NRV BOP77008: Short T bar 400mm long BOP77009: T bar extension 500mm long

The technical data and performance may be modified without prior notice depending on the technical advances.



Product Code	A (min/max)	B	C
1953-734-45-0-03-022001	677 mm	38 mm	242 mm

EBCO BELOW GROUND BOUNDARY BOX UNSEALED RIGID GUNMETAL BASE MANIFOLD