

EBCO BS1010 BIBCOCK**EBCO BS1010 Bibcock**

EBCO BS1010 HOSE UNION BIBCOCK



EBCO BS1010 Bibcocks

Manufactured from polished brass to BS1010 for above ground applications, the EBCO hose union bibcock is available with a single or double check valves.

Available in ½" to ¾" size range for male BSP threaded connections.

Sizes	Male threaded for iron pipe: ½" to ¾"
Working Pressure	Up to 10 bar (150psi)

Technical Details

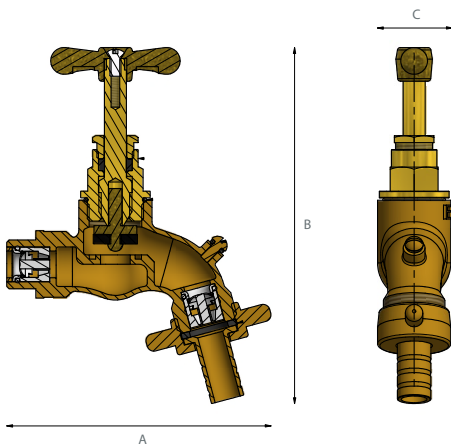
Height: 132-156mm

Width: 32-41mm

Material Details

Body:	Brass
Spindle:	Brass
Jumper:	Brass
Lining:	Brass
Cover:	Brass
Crutch:	Brass
Lug nut:	Brass
Screw:	Stainless Steel
NRV:	Acetal
Jumper washer:	WRAS approved
Cover washer:	WRAS approved

Hose Union Bibcock with Dual Check Valve



Standard Hose Union Bibcock

Part Number	Size (inlet)	Headworks	A (mm)	B (mm)	C (mm)	Weight (KG each)
HUB53PRC02	½" Male	Crutch Head	87	132	32	0.48
HUB53PRC03	¾" Male	Crutch Head	118	156	41	0.82

Hose Union Bibcock with Dual Check

Part Number	Size (inlet)	Headworks	A (mm)	B (mm)	C (mm)	Weight (KG each)
HUB53PCV02	½" Male	Crutch Head	87	132	32	0.48