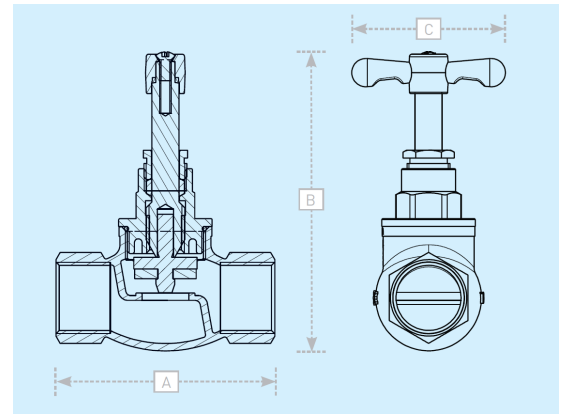


## EBCO BS1010 STOP VALVE DATA SHEET

### EBCO BS1010 STOPVALVE



PRODUCT CODE	SIZE (INLET / OUTLET)	Material	A (mm)	B (mm)	C (mm)	PACK QUANTITY			WEIGHT (Kg each)
						BAG	BOX	CARTON	
SV1002FCRK	½" Female	Gunmetal CC491K	78	116	44		20		0.50
SV1005FCRK	1 ¼" Female	Gunmetal CC491K	132	175	70				2.04
SV1015CCR	15mm Compression	DZR Brass							
SV1022CCR	22mm Compression	DZR Brass							

#### EBCO BS1010 Stopvalve

PHONE +44 (0)845 077 9797

FAX +44 (0)845 077 9798

E-MAIL [enquiries@atplas.co.uk](mailto:enquiries@atplas.co.uk)

INTERNET [www.atplas.co.uk](http://www.atplas.co.uk)