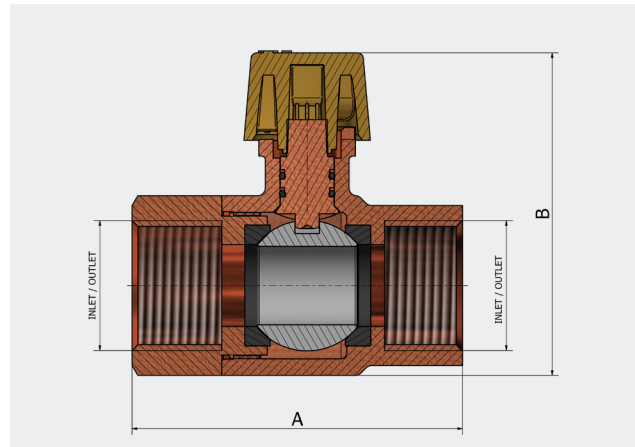


**EBCO SPHERICAL BALL VALVES  
PUSHFIT, BSP OR PRESS FIT**


PRODUCT CODE	VALVE TYPE	INLET / OUTLET	CONNECTION TYPE	A (mm)	B (mm)	C (mm)
LBVC15	Lever Ball Valve	15mm	Press Fit	79	119	39
LBVC22	Lever Ball Valve	22mm	Press Fit	87	133	44
GA21003AM	DN15 ¼ Turn	¾" Female	Threaded	110	170	57
GA21004AM	DN20 ¼ Turn	1" Female	Threaded	142	223	74
GA21006AM	DN32 ¼ Turn	1 ½" Female	Threaded	162	256	97
GA21008AM	DN40 ¼ Turn	2" Female	Threaded	148	136	50
GA21003BM	DN15 360 Turn	¾" Female	Threaded	175	169	58
GA21004BM	DN20 360 Turn	1" Female	Threaded	355	228	84
GA21006BM	DN32 360 Turn	1 ½" Female	Threaded	400	260	105
GA21008BM	DN40 360 Turn	2" Female	Threaded	190	223	76
SPH92525	DN15 ¼ Turn	25mm	Pushfit for PE Pipe	173	99	59
GA23504AM	DN20 ¼ Turn	32mm	Pushfit for PE Pipe	163	87	58
SPH02525	DN15 360 Turn	25mm	Pushfit for PE Pipe	173	99	59
GA23504BM	DN20 360 Turn	32mm	Pushfit for PE Pipe	163	87	58
GA24904AM	DN20 90 Degree Elbow ¼ Turn	1" x 1 ¼" Female	Threaded	108	112	67
GA24904BM	DN20 90 Degree Elbow 360 Turn	1" x 1 ¼" Female	Threaded	108	112	67

**EBCO Spherical Ball Valves**

## EBCO SPHERICAL BALL VALVES BSP



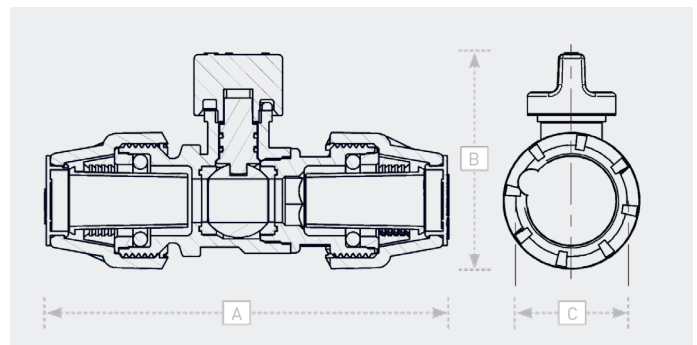
Feature	Specification
Working Pressure	Up to 16 bar (240 psi)
Temperature	Up to 23°C
Sizes	Mains Pipe: from ¾" 25mm
	Stems: ½" - 2"
	Inlet/Outlets: Female threaded for iron pipe
Materials	Metals: Gunmetal to BS EN 1982:2008 CC491K
	Seals: EPDM rubber

The pressure stated above applies with water temperatures up to 20°C.

For further information relating to operating temperatures please contact our Customer Service department on 0845 077 9797.

The technical data and performance may be modified without prior notice depending on the technical advances.

## EBCO SPHERICAL BALL VALVES PUSHFIT



Feature	Specification	
Working Pressure	Up to 16 bar (240 psi)	
Temperature	Up to 40°C	
Sizes	Inlet/Outlets:	EBCO Pushfit 25mm (3/4") to 63mm (2")
Materials	Metals:	Gunmetal to BS EN 1982:2008 CC491K
	Seals:	EPDM rubber
	Plastics:	Acetal or Polypropylene

The pressure stated above applies with water temperatures up to 20°C.

For further information relating to operating temperatures please contact our Customer Service department on 0845 077 9797.

The technical data and performance may be modified without prior notice depending on the technical advances.

## EBCO SPHERICAL BALL VALVES PRESS FIT



Feature	Specification	
Working Pressure	Up to 25 bar	
Temperature	Up to 85°C	
Sizes	Mains Pipe:	15 or 22mm
	Inlet/Outlets:	Female threaded for iron pipe
Materials	Metals:	DZR Brass body, Ball: 15mm Chrome plated brass, 22mm stainless steel
	Seals:	EPDM rubber

The technical data and performance may be modified without prior notice depending on the technical advances.