

EBCO BS5433 STOPCOCK - BSP FEMALE OR PUSHFIT CRUTCH HEAD



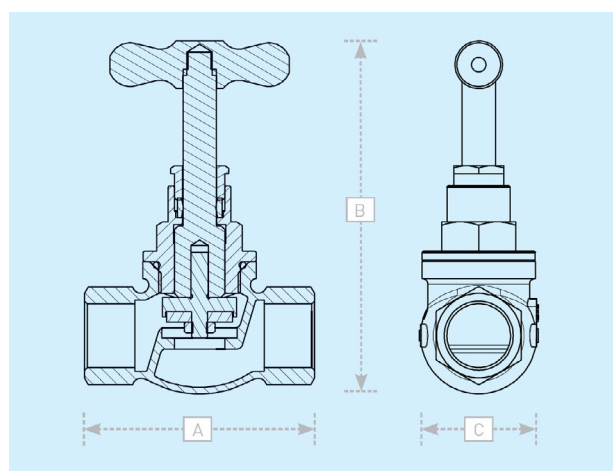
PRODUCT CODE	INLET/OUTLET	CONNECTION TYPE	A (mm)	B (mm)	C (mm)	WEIGHT (Kg each)
SV5402FCR	½" Female	Threaded	79	119	39	0.53
SV5403FCR	¾" Female	Threaded	87	133	44	0.83
SV5404FCR	1" Female	Threaded	110	170	57	1.60
SV5406FCR	1 ½" Female	Threaded	142	223	74	3.36
SV5408FCR	2" Female	Threaded	162	256	97	5.76
SV5425ZCR	25mm BPF	Pushfit for PE Pipe	148	136	50	0.94
SV5432ZCR	32mm BPF	Pushfit for PE Pipe	175	169	58	1.67
SV5450ZCR	50mm BPF	Pushfit for PE Pipe	355	228	84	3.96
SV5463ZCR	63mm BPF	Pushfit for PE Pipe	400	260	105	6.70
SV5420BCR	20mm EBCO-B	Compression for PE Pipe				
SV5450BCR	50mm EBCO-B	Compression for PE Pipe	190	223	76	4.4
SV5463BCR	63mm EBCO-B	Compression for PE Pipe	213	256	91	6.99

The technical data and performance may be modified without prior notice depending on the technical advances.

EBCO BS5433 Stopcock

EBCO BS5433

STOPCOCK - BSP FEMALE CRUTCH HEAD



Feature	Specification	
Working Pressure	Up to 16 bar (240 psi)	
Temperature	Up to 40°C	
Sizes	Inlet/Outlets:	See dimension table
Materials	Metals:	Gunmetal to BS EN 1982:2008 CC491K
	Plastics:	Acetal or Polypropylene
	Seals:	Nitrile or EPDM rubber

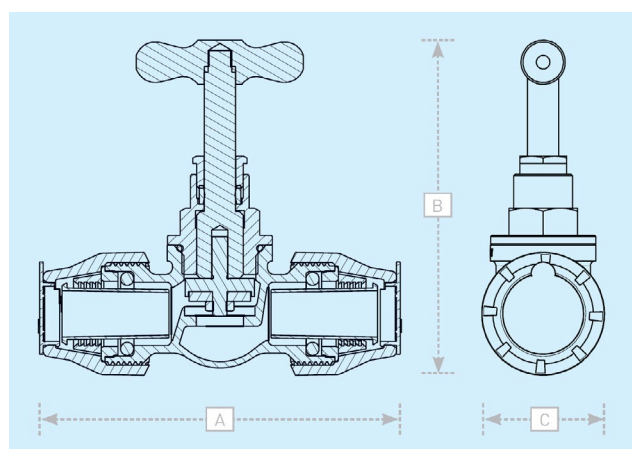
The pressure stated above applies with water temperatures up to 20°C.

For further information relating to operating temperatures please contact our Customer Service department on 0845 077 9797.

The technical data and performance may be modified without prior notice depending on the technical advances.

EBCO BS5433 Stopcock

EBCO BS5433 STOPCOCK - PUSHFIT CRUTCH HEAD



Feature	Specification	
Working Pressure	Up to 16 bar (240 psi)	
Temperature	Up to 40°C	
Sizes	Inlet/Outlets:	See dimension table
Materials	Metals:	Gunmetal to BS EN 1982:2008 CC491K
	Plastics:	Acetal or Polypropylene
	Seals:	Nitrile or EPDM rubber

The pressure stated above applies with water temperatures up to 20°C.

For further information relating to operating temperatures please contact our Customer Service department on 0845 077 9797.

The technical data and performance may be modified without prior notice depending on the technical advances.

EBCO BS5433 Stopcock