

**EBCO SAMPLING TAP**

For bacteriological tests of water supplies



PRODUCT CODE	INLET	OUTLET
SVSAMP	½" Male	Vertical Nozzle

**EBCO Sampling Tap**

## EBCO SAMPLING TAP

For bacteriological tests of water supplies

The unit comprises of a ½" BS 1010 Bibcock - Bibtaps : ½" male BSP inlet CZ132 Brass Body or more commonly known as DZR with flameproof taper nozzle, c/w dust cap & chain for sampling potable drinking water.

Units are available in natural Brass or can be Chrome plated to customer requirements.

### Technical Details

Height: 7.25"  
Width: 4.25"

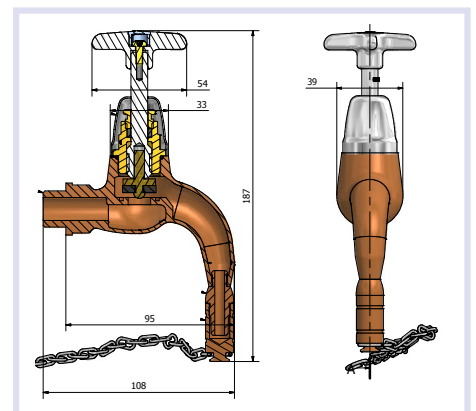
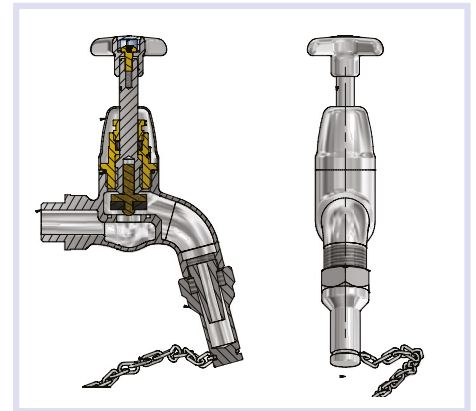
### Material Details

Body: Brass  
Shield: Brass  
Nozzle: Brass  
Nozzle Cap: Brass  
Cover: Brass  
Spindle: Gunmetal  
Crutch: Gunmetal  
Packing Nut: Gunmetal  
Screw: Stainless Steel  
Jumper: DZR Brass  
Jumper Washer: WRC Approved Washer  
Cover Washer: WRC Approved Washer  
Packing Material: Solid Graflex Density 1.5  
Chain: 12" Brass ½" x 15 Gauge

### Model Numbers

SVSAMP

Chrome Sampling Bib ½" inlet with vertical nozzle outlet



The technical data and performance may be modified without prior notice depending on the technical advances.