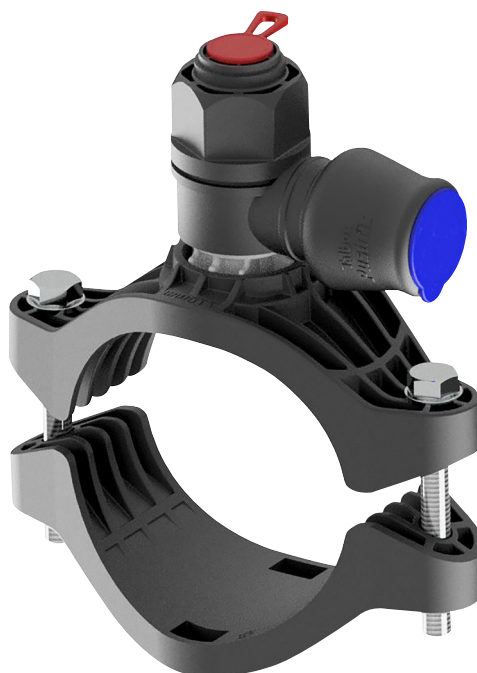


TALBOT SELF TAPPING FERRULE STRAPS

For PE and PVC Mains Pipe



PRODUCT CODE	PIPE	NOM SIZE	STRAP SIZE (MM)	OUTLET SIZE	OUTLET TYPE	BANJO
E11910	PVC/PE	63mm (DN50)	63	25mm	Talbot Pushfit	Plastic
E11911	PVC/PE	63mm (DN50)	63	32mm	Talbot Pushfit	Plastic
E11913	PVC/PE	90mm (DN80)	90	25mm	Talbot Pushfit	Plastic
E11914	PVC/PE	90mm (DN80)	90	32mm	Talbot Pushfit	Plastic
E11916	PVC/PE	110mm (DN100)	110	25mm	Talbot Pushfit	Plastic
E11917	PVC/PE	110mm (DN100)	110	32mm	Talbot Pushfit	Plastic
E11919	PVC/PE	125mm (DN125)	125	25mm	Talbot Pushfit	Plastic
E11920	PVC/PE	125mm (DN125)	125	32mm	Talbot Pushfit	Plastic
E11912	PVC/PE	63mm (DN50)	63	3/4"	BSP Female	Gunmetal
E11915	PVC/PE	90mm (DN80)	90	3/4"	BSP Female	Gunmetal
E11918	PVC/PE	110mm (DN100)	110	3/4"	BSP Female	Gunmetal
E11921	PVC/PE	125mm (DN125)	125	3/4"	BSP Female	Gunmetal

Talbot Self Tapping Ferrule Straps



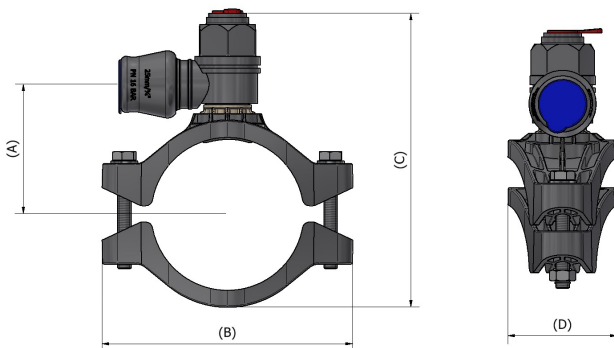
TALBOT SELF TAPPING FERRULE STRAPS

For PE and PVC Mains Pipe



TECHNICAL DATA

Nominal Pressure (PN):	Working 16 bar, test 24 bar		
Medium Temperature :	Up to 23°C		
Sizes	Mains Pipe:	63mm, 90mm, 110mm, 125mm	
	Stems:	½" - 1"	
	Outlets:	Talbot Pushfit for PE: 25mm or 32mm or ¾"	25mm or 32mm or ¾" BSP female.
Materials:	Metals:	Gunmetal to BS EN 1982:2008 CC491K	
		Cutter: Aluminium Bronze to BSEN 12167 grade CW307G condition M	
	Plastics:	Polypropylene	
	Fasteners:	Stainless Steel (A4)	
	Seals:	EPDM rubber	



STRAP	A	B	C	D
E11910	72	122	169	81
E11911	73	122	169	81
E11913	85	153	196	81
E11914	86	153	197	81
E11916	95	185	216	81
E11917	96	185	217	81
E11919	103	209	231	81
E11920	104	209	232	81
E11912	73	122	168	81
E11915	85	153	195	81
E11918	95	185	215	81
E11921	103	209	230	81

The technical data and performance may be modified without prior notice depending on the technical advances.